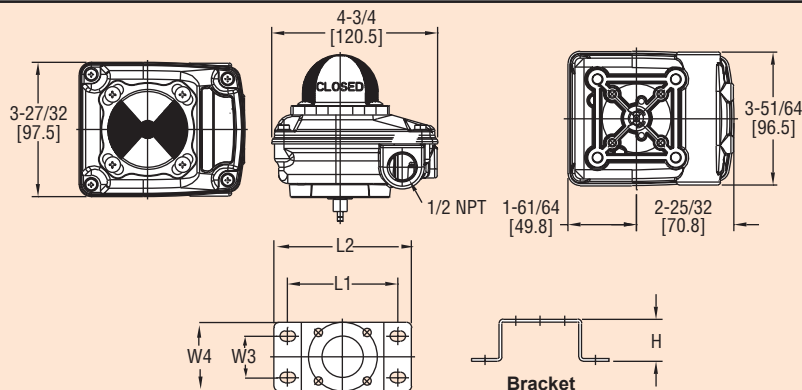




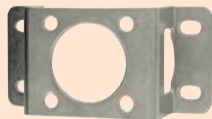
Series  
VPI

# Valve Position Indicator

Low Cost, Mechanical or Proximity Limit Switches



Scan here  
to watch  
product video



Bracket Dimensions					
Model	H in (mm)	L1 in (mm)	L2 in (mm)	W3 in (mm)	W4 in (mm)
VPI-B01	1-13/64 [30.5]	3-5/32 [80]	3-15/16 [100]	1-3/16 [30]	2 [50]
VPI-B02	1-19/64 [40.5]	5-1/8 [130]	5-29/32 [150]	1-3/16 [30]	2 [50]
VPI-B03	1-19/64 [40.5]				
VPI-B04	2-3/8 [60.5]				

The Series VPI Rotary Valve Position Indicators are compact yet rugged for confined and severe locations. These versatile units offer visual position indication as well as two internal limit switches. The spring-loaded splined cams require no tools for a quick and precise adjustment. The Series VPI is available with mechanical or proximity limit switches. The mechanical models feature two SPDT limit switches. The proximity models feature two solid-state inductive limit switches eliminating the need for the cams to make contact with the switches. The NEMA 6 (IP67) rating ensures protection against the ingress of liquid and debris.

## SPECIFICATIONS

**Minimum Rotation Travel:** 60°.

**Maximum Rotation Travel:** 360°.

**Temperature Limits:** -4 to 176°F (-20 to 80°C).

**Switch Type:** VPI-M: (2) mechanical SPDT limit switches; VPI-P: (2) inductive proximity limit switches.

**Electrical Rating:** VPI-M: AC: 3 A at 250 V, 5 A at 125 V; DC: 0.2 A at 250 V, 0.4 A at 125 V, 4 A at 30 V.

**Power Requirements:** VPI-P: 12 to 24 VDC, 30 VDC max.

**Enclosure Material:** Aluminum die-casting.

**Electrical Connections:** 8-contact screw terminal strip.

**Conduit Connection:** (2) 1/2" female NPT.

**Enclosure Rating:** NEMA 6 (IP67).

**Mounting:** NAMUR.

**Weight:** 1.9 lb (0.88 kg).

Model	Description
VPI-M01	Rotary Valve Position Indicator, Dual Mechanical SPDT, 1/2" NPT Conduit
VPI-P01	Rotary Valve Position Indicator, Dual Proximity SPDT, 1/2" NPT Conduit
VPI-B01	NAMUR A, 30 x 80 mm hole pattern, 20 mm shaft height
VPI-B02	NAMUR B, 30 x 80 mm hole pattern, 30 mm shaft height
VPI-B03	NAMUR C, 30 x 130 mm hole pattern, 30 mm shaft height
VPI-B04	NAMUR D, 30 x 130 mm hole pattern, 50 mm shaft height