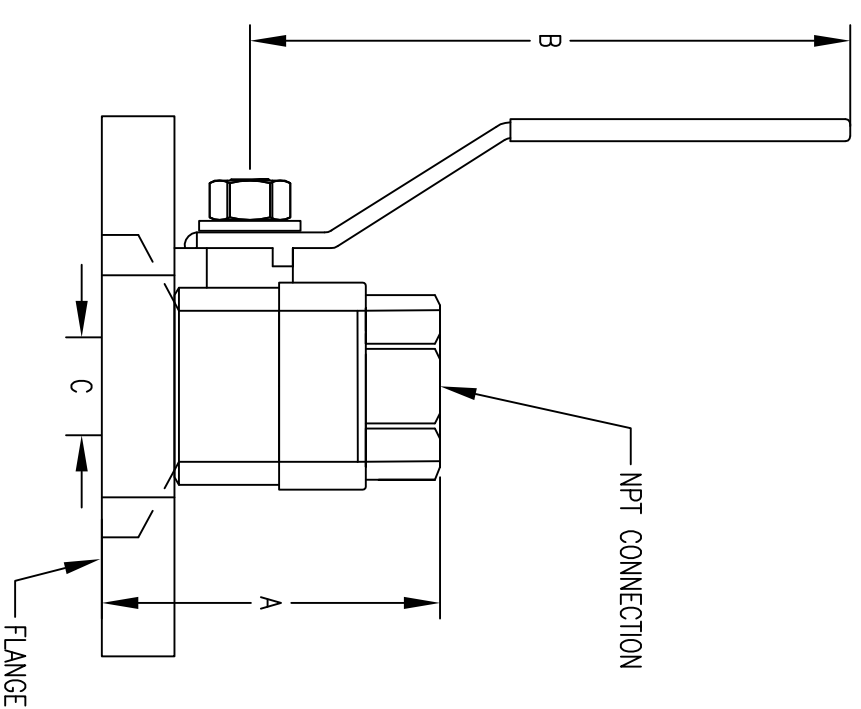
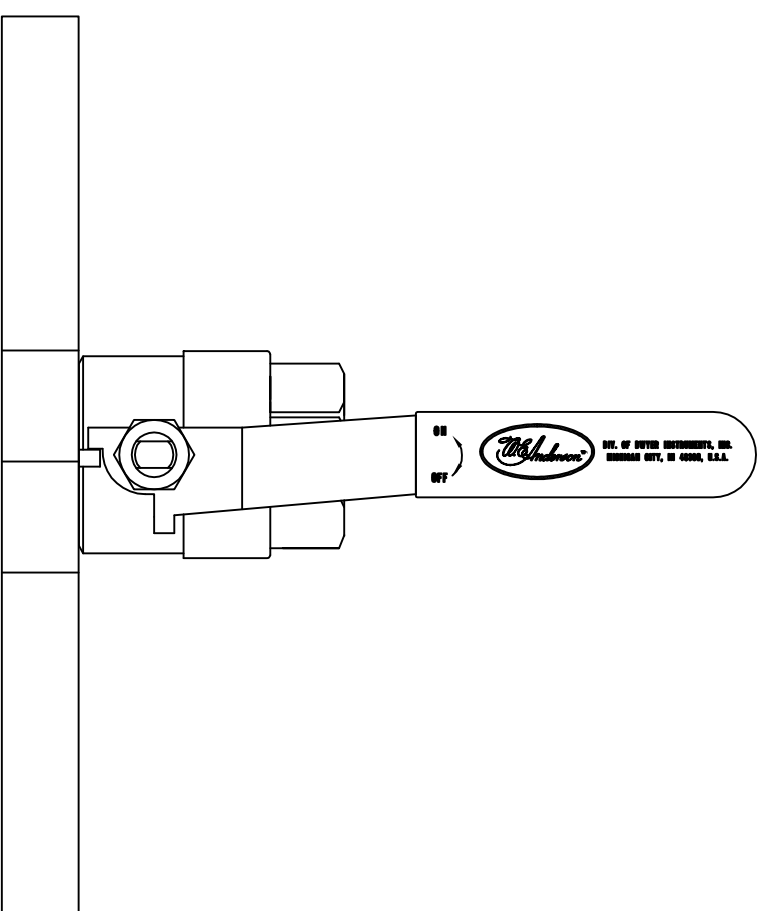


PRODUCT DIMENSIONS

NPT SIZE	A in [mm]	B in [mm]	C in [mm]
1/2"	1-63/64 [50.29]	2-7/8 [72.90]	35/64 [13.97]
3/4"	2-3/16 [55.37]		49/64 [19.30]
1"	2-31/64 [62.99]	4 [101.60]	61/64 [24.38]
1-1/4"	2-27/32 [72.14]		1-3/16 [29.97]
1-1/2"	3-15/64 [82.04]	4-5/32 [105.41]	1-31/64 [37.85]
2"	3-9/16 [90.42]		1-37/32 [46.99]



SCALE 1:1

Ⓢ = CRITICAL DIMENSION
 STANDARD TOLERANCES UNLESS NOTED:
 ALL DECIMAL DIMENSIONS ±
 ALL ANGLES ±

MATERIAL

FINISH

SERIES UBV
 FLANGED BALL VALVE

NAME

DATE

DWN BY

CHKD

APPD

BY/DATE

CHANGES

NO.

ACAD2002

FR. NO.

Dwyer Instruments, Inc.
 MICHIGAN CITY, INDIANA 46360 U.S.A.

NOTICE: This drawing and the principles and elements of design embodied therein are the exclusive property of DWYER INSTRUMENTS, INC. and are not to be communicated, disclosed, reproduced or used except as previously authorized in writing by such corporation and must not be submitted to outside parties for examination without the written consent of said corporation.