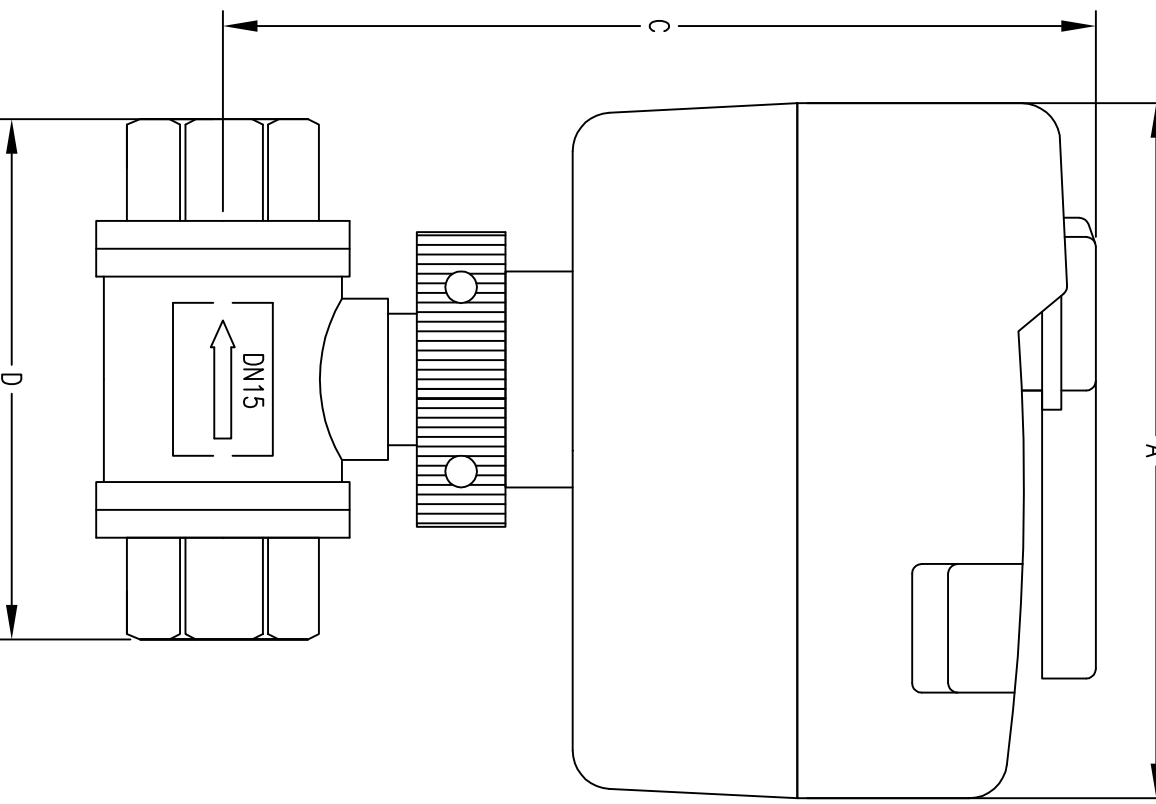
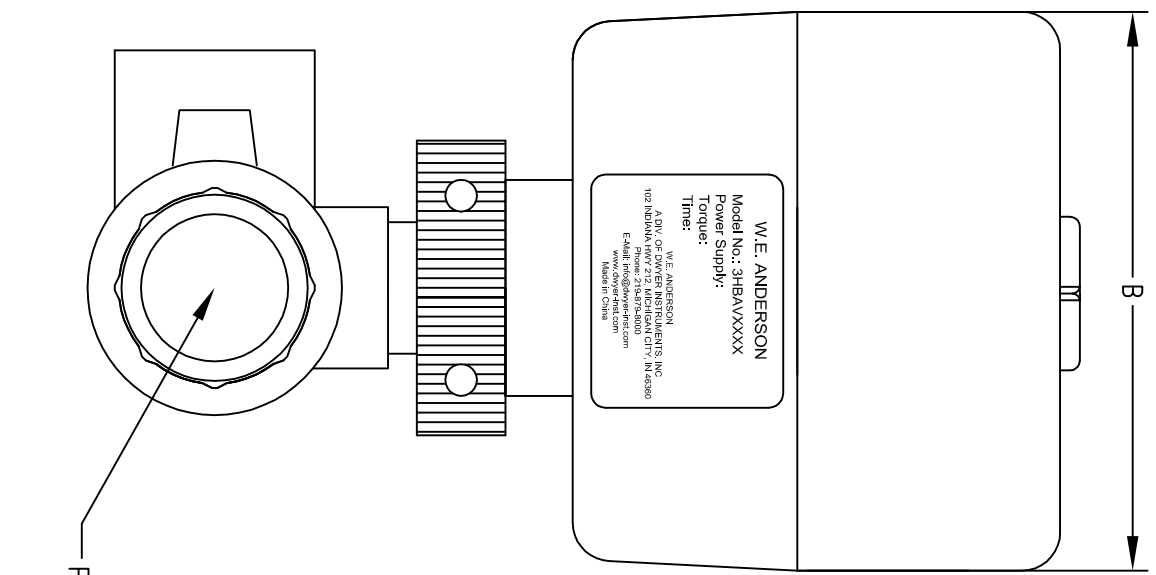
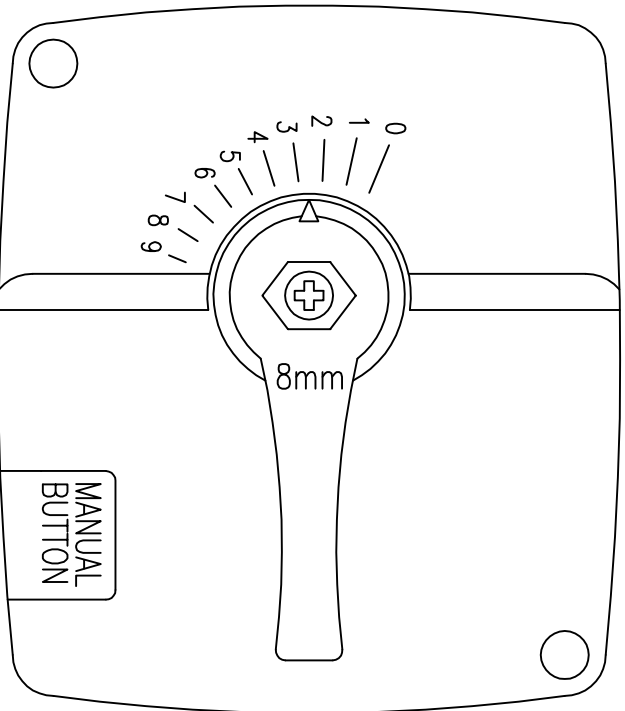


PRODUCT DIMENSIONS

NPT SIZE	A in [mm]	B in [mm]	C in [mm]	D in [mm]	E in [mm]	WEIGHT lb (kg)
1/2"			4-17/32 [115]	2-11/16 [68]	1-19/64 [33]	1.76 [0.80]
3/4"	3-5/8 [92]	3-1/32 [77]	4-23/32 [120]	3-5/16 [84]	1-11/32 [34]	1.87 [0.85]
1"			5-5/32 [131]	4-3/32 [104]	1-11/16 [43]	2.43 [1.10]
1-1/4"				4-3/8 [111]	1-31/32 [90]	3.64 [1.65]
1-1/2"	4-27/32 [123]	3-1/16 [78]				4.19 [1.90]
2"			5-5/16 [135]	5-5/8 [143]	2-13/32 [61]	5.84 [2.65]



SHOWN
1/2", 3/4" & 1" NPT

② = CRITICAL DIMENSION
DIMENSIONS UNLESS NOTED:
DIMENSIONS IN INCHES ±
ALL ANGLES 5°

SCALE 1:1

NAME		DATE	SERIES 3HBAV THREE-WAY DETACHABLE BALL VALVE ARTWORK (FOR REFERENCE ONLY)	MATERIAL FINISH DWYER INSTRUMENTS, INC. MICHIGAN CITY, INDIANA 46360 U.S.A.
BY/DATE		9-23-11		
CHANGES		DWN BY HMA		
		CHKD APFD		
NO.	DATE		ACAD2002	FR. NO. RB-700921-00
			3	

NOTE: This drawing and the procedure and elements of design embodied therein are the exclusive property of DWYER INSTRUMENTS, INC. and are not to be used, copied, or reproduced in any form without the written consent of said corporation.