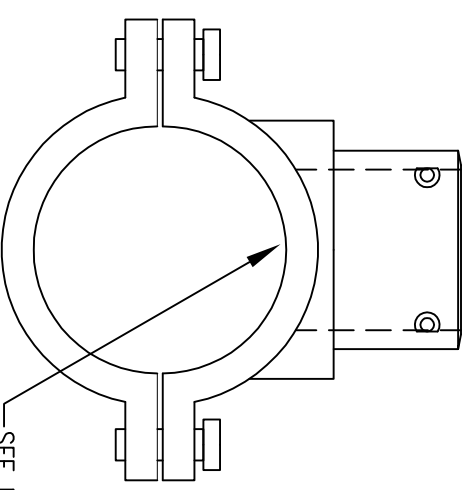
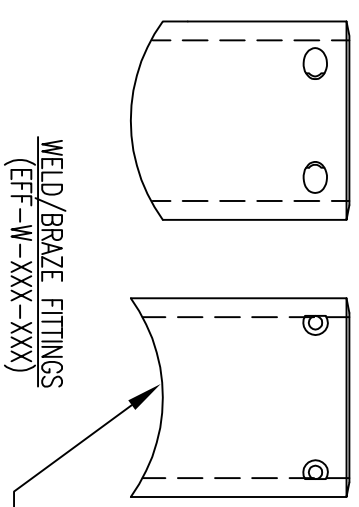


TEE FITTINGS
(EFF-T-XXX-XXX)



WELD/BRAZE FITTINGS
(EFF-S-XXX-XXX)



WELD/BRAZE FITTINGS
(EFF-W-XXX-XXX)

SCALE 1:2

Ⓢ = CRITICAL DIMENSION
STANDARD TOLERANCES UNLESS NOTED:
ALL DECIMAL DIMENSIONS ±
ALL ANGLES ±

NO.		DATE		NAME		MATERIAL	
		DWN BY		ARTWORK		FINISH	
		CHKD		EFF SERIES		Dwyer Instruments, Inc.	
		APPD		PIPE FITTINGS		MICHIGAN CITY, INDIANA 46360 U.S.A.	
CHANGES		BY/DATE		(FOR REFERENCE ONLY)		FR. NO. R2-701059-00	
		ACAD2002		3			

NOTICE: This drawing and the principles and elements of design embodied therein are the exclusive property of DWYER INSTRUMENTS, INC. and are not to be communicated, disclosed, reproduced or used except as previously authorized in writing by such corporation and must not be submitted to outside parties for examination without the written consent of said corporation.