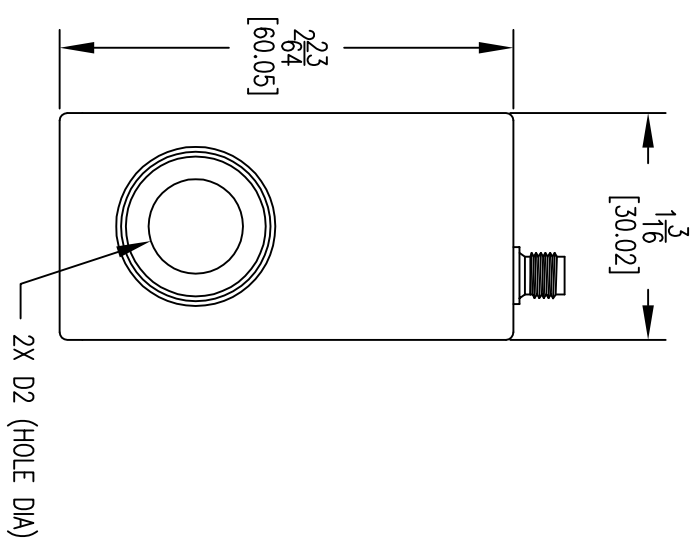
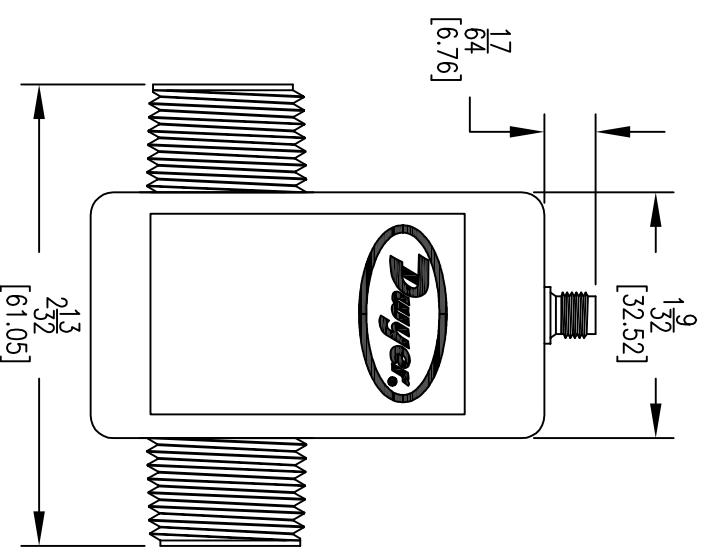
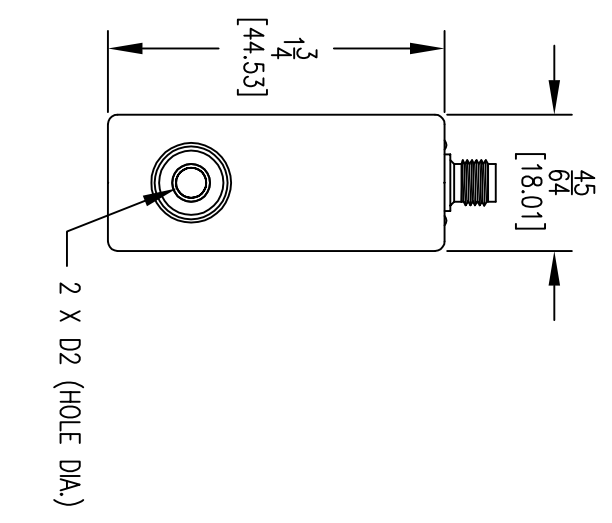
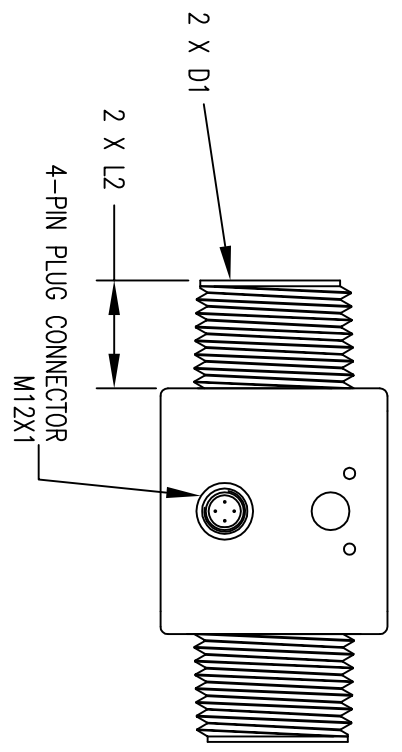
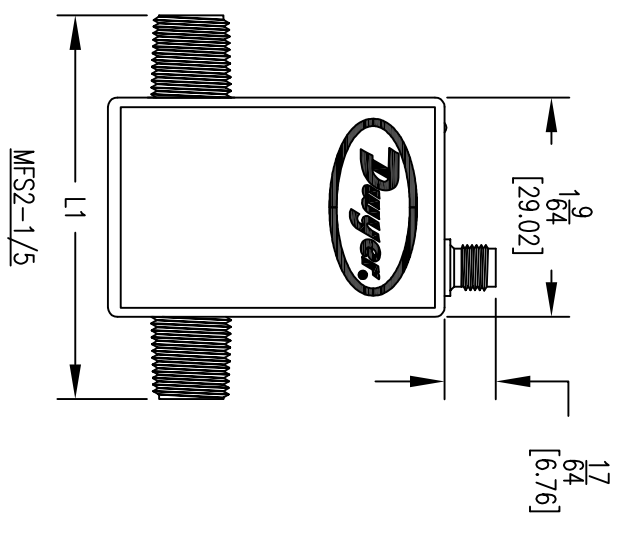
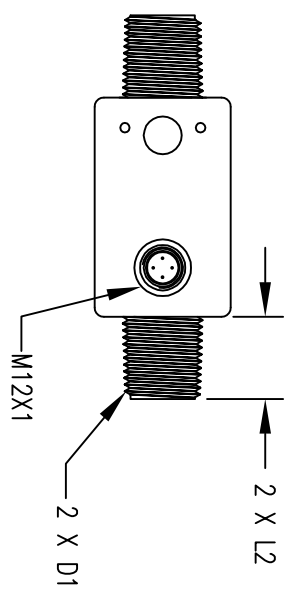


MODEL	L1	L2	D1	D2
MFS2-1	4"	0.86"	1/2"-14 NPT	0.31"
MFS2-2	4"	0.86"	1/2"-14 NPT	0.31"
MFS2-3	4.02"	0.86"	3/4"-14 NPT	0.55"
MFS2-4	4.41"	1.04"	1"-11.5 NPT	0.71"
MFS2-5	4.41"	1.04"	1"-11.5 NPT	0.71"
MFS2-6	4.81"	1.13"	1-1/4"-11.5 NPT	0.98"



SCALE 1:2

Ⓢ = CRITICAL DIMENSION
 STANDARD TOLERANCES UNLESS NOTED:
 ALL DECIMAL DIMENSIONS ± .005
 ALL ANGLES ± 1°

NO.		CHANGES		DATE	NAME	MATERIAL
					ARTWORK	Dwyer Instruments, Inc. Michigan City, Indiana 46360 U.S.A.
					SERIES MFS2	
					MAGNETIC INDUCTIVE	
					FLOW SENSOR	
					(FOR REFERENCE ONLY)	
				BY/DATE	APPD	
					ACAD2002	
FR. NO. R2-701257-00						

NOTICE: This drawing and the principles and elements of design embodied therein are the exclusive property of DWYER INSTRUMENTS, INC. and are not to be communicated, disclosed, reproduced or used except as previously authorized in writing by such corporation and must not be submitted to outside parties for examination without the written consent of said corporation.