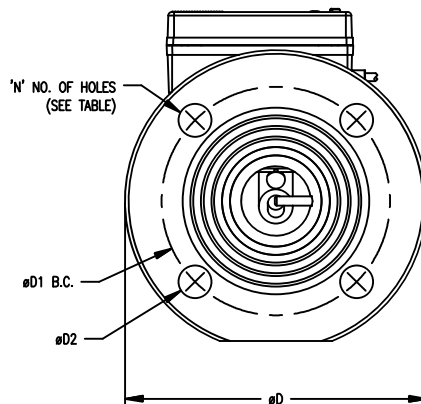
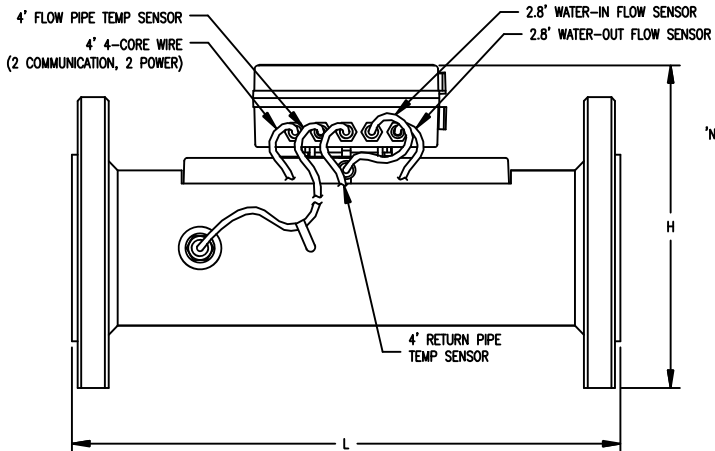


MODEL NO	DIMENSIONS IN [mm]			FLOW RATE GPM [LPM]			WEIGHT LB [KG]
	L	D	H	Qs	Qp	Qi	
TUF-201	4-21/64 [110.00]	G3/4B	3-3/2 [101.00]	13 [50]	6.6 [25]	0.1 [0.5]	3.1 [1.4]
TUF-202	5/8 [130.00]	G1B	3-3/2 [101.00]	22 [83]	11 [42]	0.2 [0.8]	3.1 [1.4]
TUF-250	6-19/64 [160.00]	G1 1/4B	4-1/2 [106.00]	31 [117]	15 [58]	0.3 [1.2]	4.1 [1.8]
TUF-320	7-3/32 [180.00]	G1 1/2B	4-1/2 [113.00]	53 [200]	26 [100]	0.5 [2]	5.2 [2.3]
TUF-400	7-7/8 [200.00]	G2B	4-1/2 [121.00]	88 [333]	44 [167]	0.9 [3.3]	6.6 [3.0]



MODEL NO	DIMENSIONS IN [mm]							FLOW RATE GPM [LPM]			WEIGHT LB [KG]
	L	#D	H	#D1	#D2	N	Qs	Qp	Qi		
TUF-500	11-1/8 [300.00]	6-1/2 [165.00]	6-5/8 [175.00]	4-5/8 [125.00]	45/64 [18.00]	4	13 [50]	6.6 [25]	0.1 [0.5]	30.8 [14]	
TUF-650	11-1/8 [300.00]	7-3/32 [185.00]	7-3/8 [196.00]	5-1/4 [145.00]	45/64 [18.00]	4	22 [83]	11 [42]	0.2 [0.8]	30.2 [13.7]	
TUF-800	13-3/32 [350.00]	7-7/8 [200.00]	8 [216.00]	6-1/4 [160.00]	45/64 [18.00]	8	31 [117]	15 [58]	0.3 [1.2]	37.5 [17]	
TUF-1000	13-3/32 [350.00]	8-3/32 [220.00]	9-1/8 [233.00]	7-3/32 [180.00]	45/64 [18.00]	8	53 [200]	26 [100]	0.5 [2]	41.8 [19]	
TUF-1250	13-3/32 [350.00]	9-1/2 [250.00]	10-5/8 [264.00]	8-1/4 [210.00]	45/64 [18.00]	8	88 [333]	44 [167]	0.9 [3.3]	57.3 [26]	
TUF-1500	11-13/16 [300.00]	11-7/8 [285.00]	11-1/2 [291.00]	9-1/4 [240.00]	55/64 [22.00]	8	53 [200]	26 [100]	0.5 [2]	70.5 [32]	
TUF-2000	13-25/32 [350.00]	13-5/8 [340.00]	13-3/4 [347.00]	11-3/8 [295.00]	55/64 [22.00]	12	88 [333]	44 [167]	0.9 [3.3]	141 [64]	

Ⓢ = CRITICAL DIMENSION
 STANDARD TOLERANCES UNLESS NOTED:
 ALL DECIMAL DIMENSIONS ± .005
 ALL ANGLES ± 1°

DATE	NAME	ARTWORK SERIES TUF TENANT ULTRASONIC FLOWMETER (FOR REFERENCE ONLY)	MATERIAL
DWN BY			FINISH
CHKD			DWYER INSTRUMENTS, INC. MICHIGAN CITY, INDIANA 46360 U.S.A.
APPD			
NO.	CHANGES	BY/DATE	3

NOTICE: This drawing and the principles and elements of design embodied therein are the exclusive property of DWYER INSTRUMENTS, INC. and are not to be reproduced, disclosed, appropriated or used in any way by any corporation and must not be submitted to outside parties for examination without the written consent of said corporation.

ACAD2002