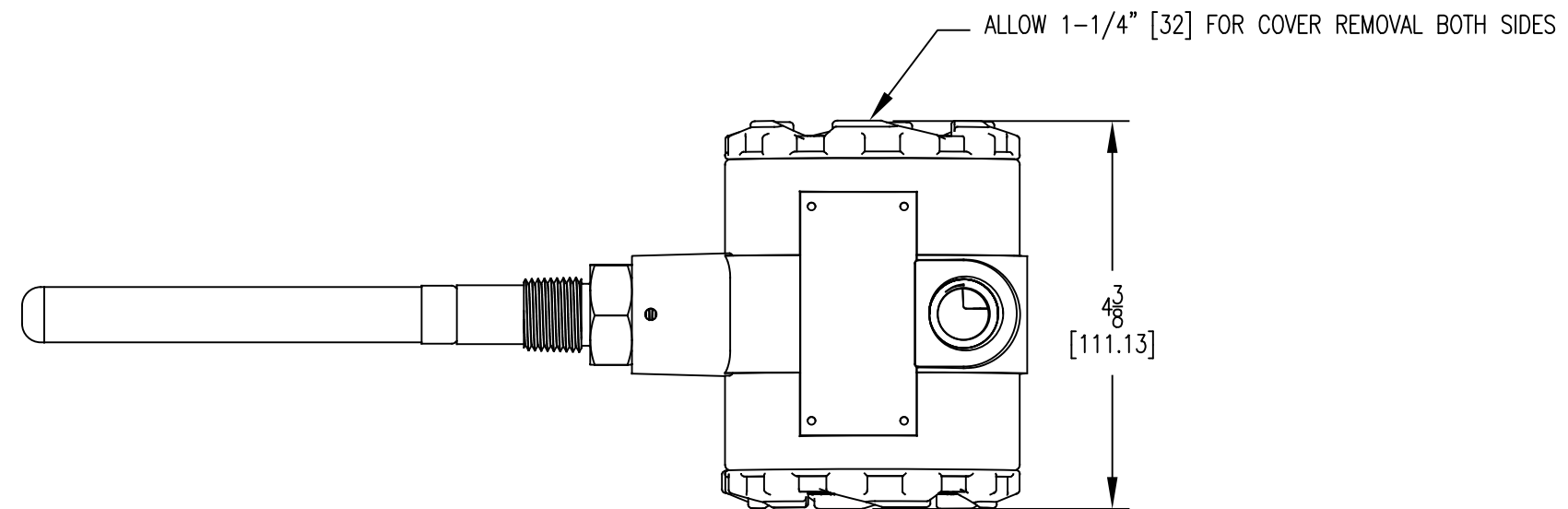


PROBE LENGTH	DIM "A"
3	3 [76.20]
5	5 [127.00]
10	10 [254.00]
15	15 [381.00]
20	20 [508.00]
30	30 [762.00]
36	36 [914.40]



Ⓢ = CRITICAL DIMENSION
 STANDARD TOLERANCES UNLESS NOTED:
 ALL DECIMAL DIMENSIONS ± .005
 ALL ANGLES ± 1°

			DATE 10-13-14	NAME	MATERIAL
3	ELECTRICAL ENTRY NOTE WAS "2X 1/2 NPT CONDUIT ENTRY", PROCESS CONN NOTE WAS "3/4 NPT PROCESS CONN" PER ECR #40733	RBS 4-11-17	DWN BY CM	ARTWORK PMT II STANDARD	FINISH
2	REMOVED "DWYER" FROM BODY PER ECR #37280	HMS 6-24-15	CHKD DGH		DWYER INSTRUMENTS, INC. MICHIGAN CITY, INDIANA 46360 U.S.A.
1	DIMENSIONS UPDATED PER ECR 36190	JL 11-20-14	APPD CB		
NO.	CHANGES	BY/DATE			FR. NO. 701342-00
NOTICE: This drawing and the principles and elements of design embodied therein are the exclusive property of DWYER INSTRUMENTS, INC. and are not to be communicated, disclosed, reproduced or used except as previously authorized in writing by such corporation and must not be submitted to outside parties for examination without the written consent of said corporation.					ACAD2002 3