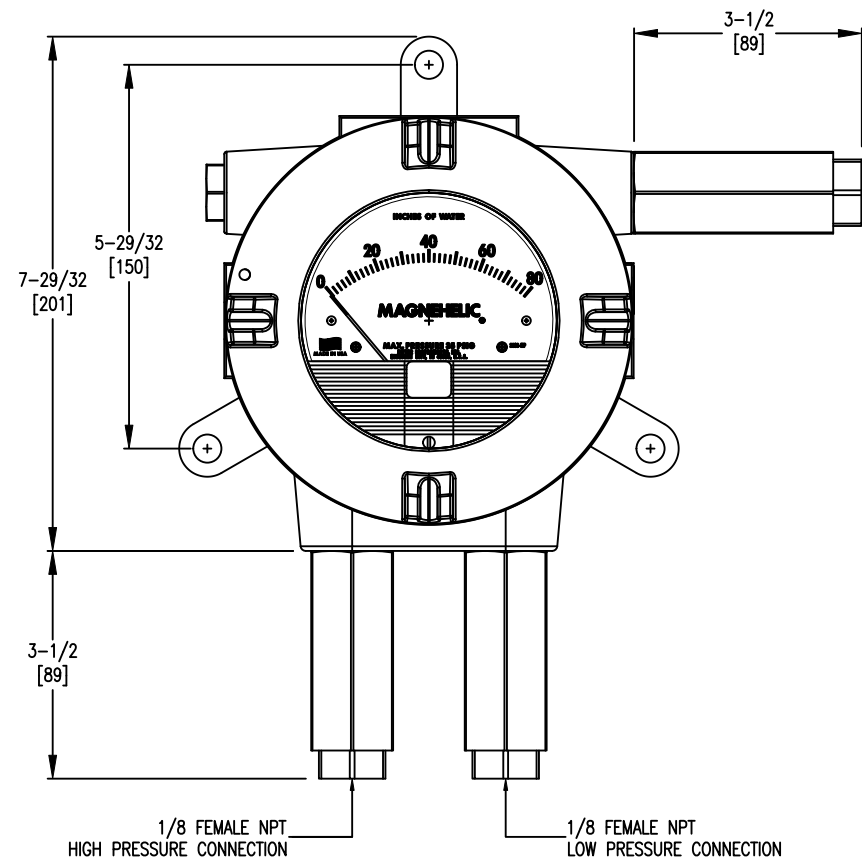
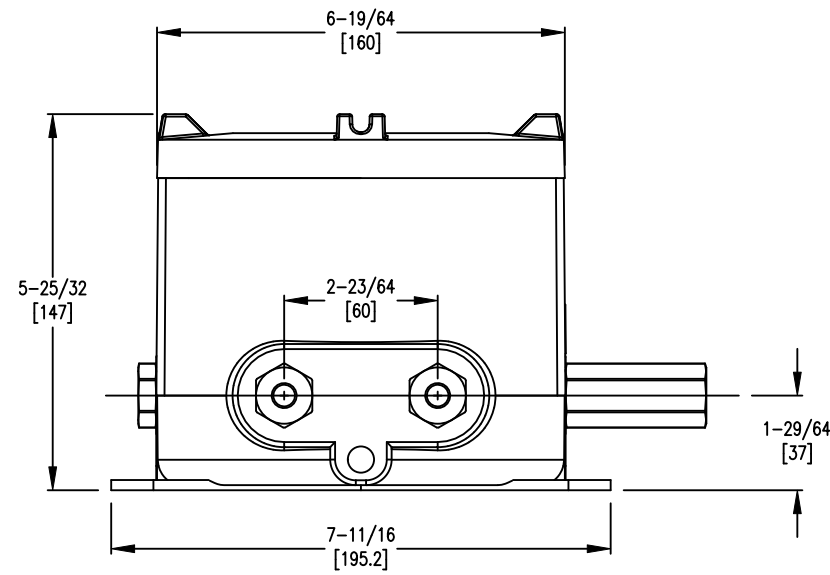
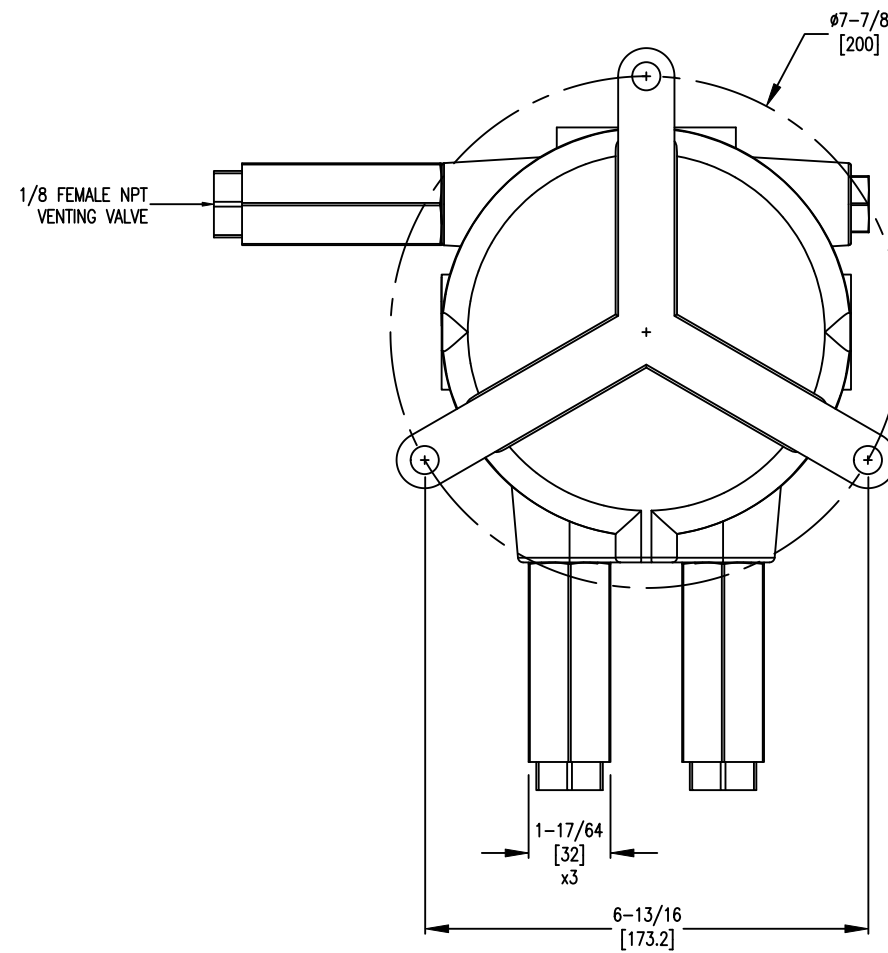


AT-101NA-2000 (VL1 / DTC013 / W)



AT-101NA-2000 (VL1 / DTC013 / W / BACKSIDE VIEW)



SCALE 3:1

Ⓢ = CRITICAL DIMENSION
STANDARD TOLERANCES UNLESS NOTED:
ALL DECIMAL DIMENSIONS ± .005
ALL ANGLES ± 1°

			DATE 06-08-20	NAME	MATERIAL
			DWN BY DPR	ARTWORK, SERIES 2000 WITH ATEX/IECEX CERTIFIED ALUMINUM ENCLOSURE W/WINDOW LD PRESSURE PORT LD VENTING VALVE (FOR REFERENCE ONLY) ACAD2002	FINISH
			CHKD JEO		DWYER INSTRUMENTS, INC. MICHIGAN CITY, INDIANA 46360 U.S.A.
1	UPDATED MODEL FORMAT AND MODIFIED THE DIMENSIONS PER ECR-046903	DPR 10-12-20	APPD FAE		
NO.	CHANGES	BY/DATE			FR. NO. 701456-41

NOTICE: This drawing and the principles and elements of design embodied therein are the exclusive property of DWYER INSTRUMENTS, INC. and are not to be communicated, disclosed, reproduced or used except as previously authorized in writing by such corporation and must not be submitted to outside parties for examination without the written consent of said corporation.