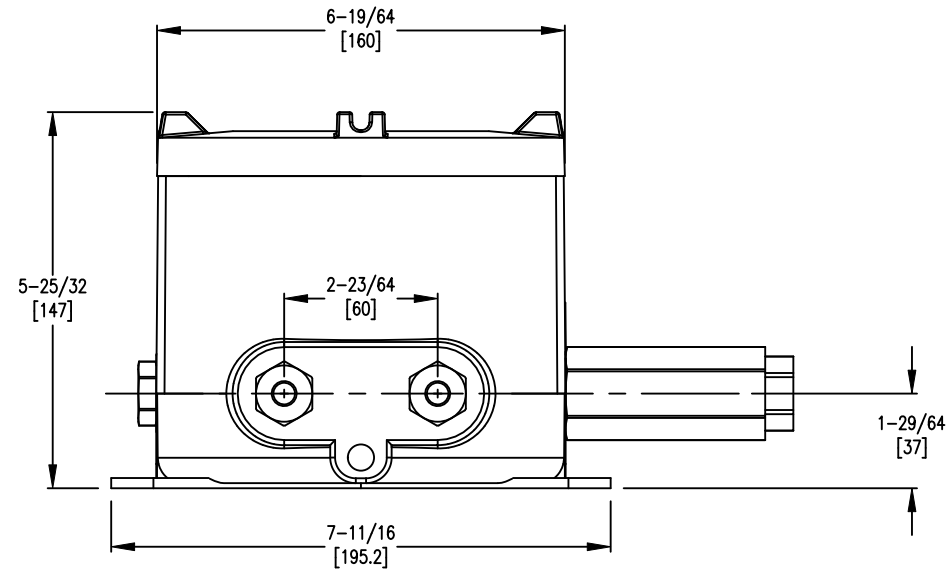
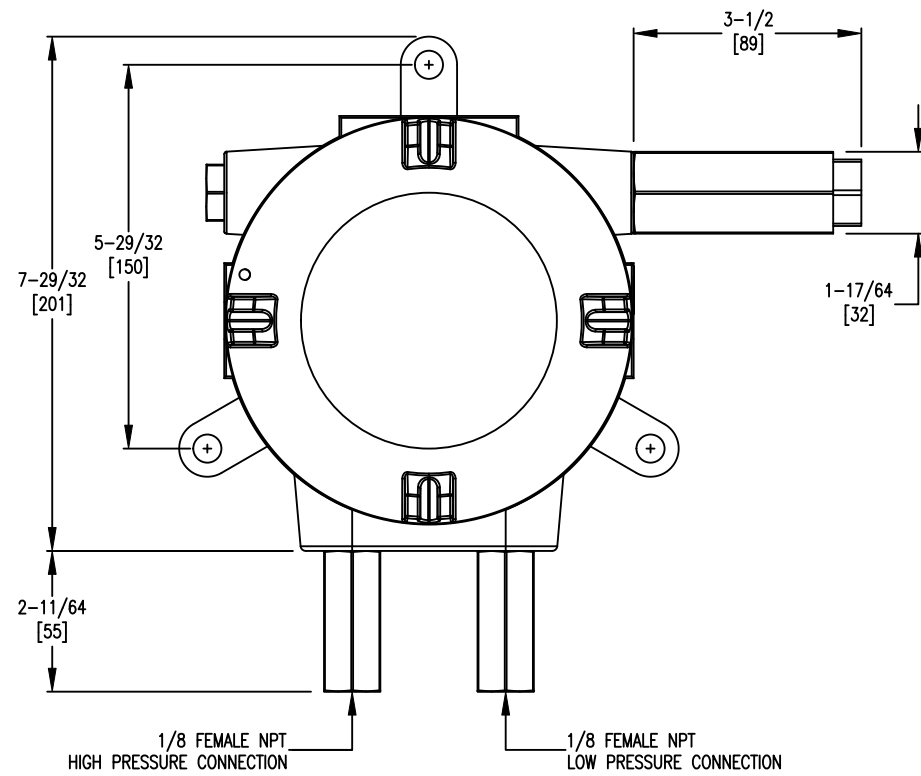
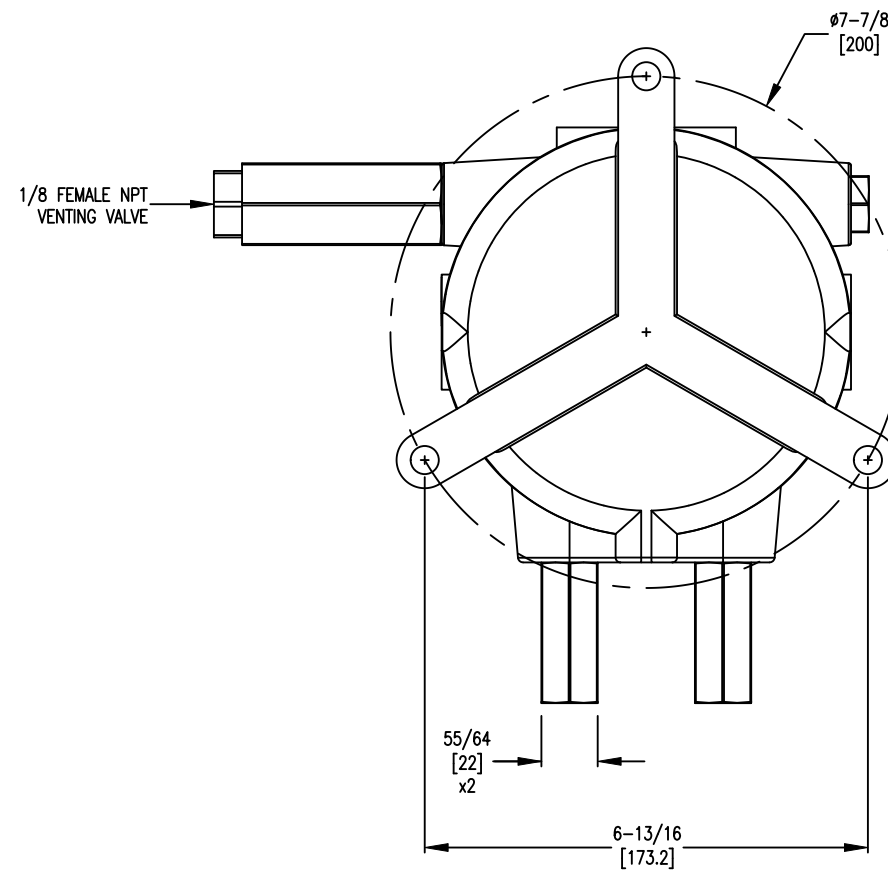


AT-101NA-1800 (VS2 / DTC015)



AT-101NA-1800 (VS2 / DTC015 / BACKSIDE VIEW)



Ⓢ = CRITICAL DIMENSION
 STANDARD TOLERANCES UNLESS NOTED:
 ALL DECIMAL DIMENSIONS ± .005
 ALL ANGLES ± 1°

SCALE 3:1

		DATE	NAME	MATERIAL
		09-08-20	ARTWORK, SERIES 1800	
		DWN BY	WITH ATEX/IECEX CERTIFIED	FINISH
		CHKD	ALUMINUM ENCLOSURE	
		KAS	STD PRESSURE PORT	
		APPD	LD VENTING VALVE	
		FAE	(FOR REFERENCE ONLY)	
NO.	CHANGES	BY/DATE	ACAD2002	
NOTICE: This drawing and the principles and elements of design embodied therein are the exclusive property of DWYER INSTRUMENTS, INC. and are not to be communicated, disclosed, reproduced or used except as previously authorized in writing by such corporation and must not be submitted to outside parties for examination without the written consent of said corporation.				FR. NO. 701459-30