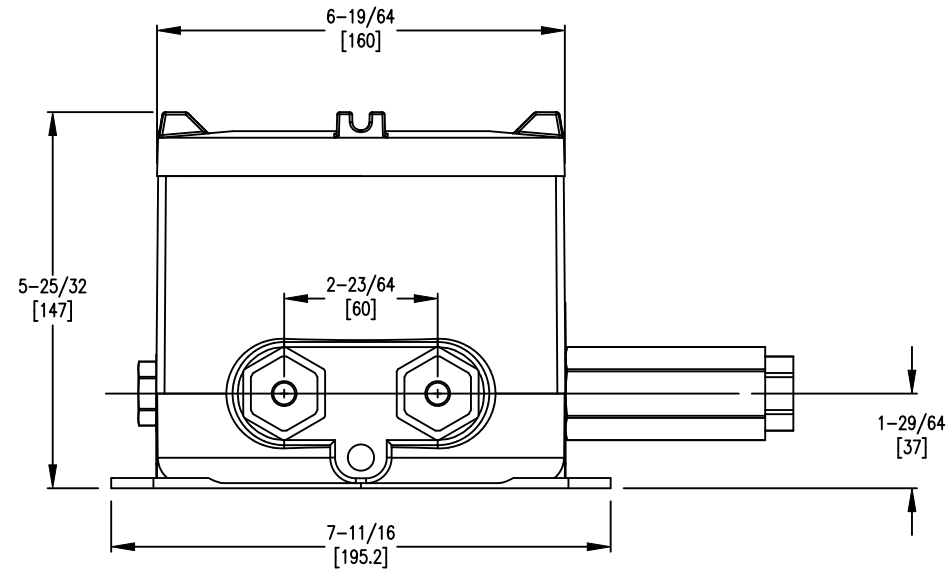
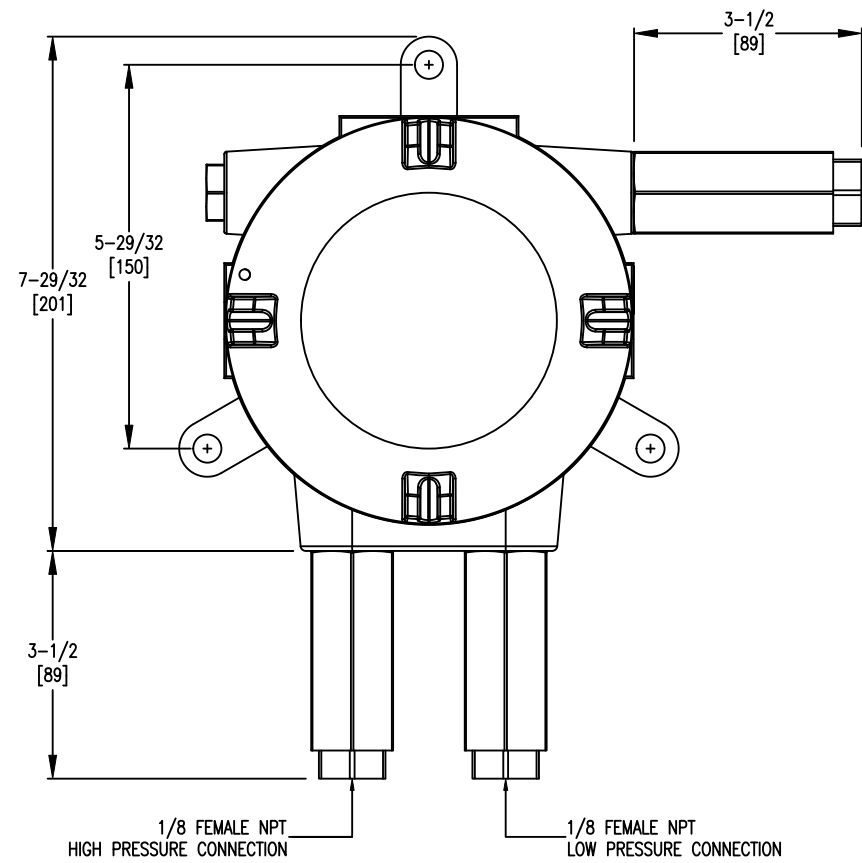
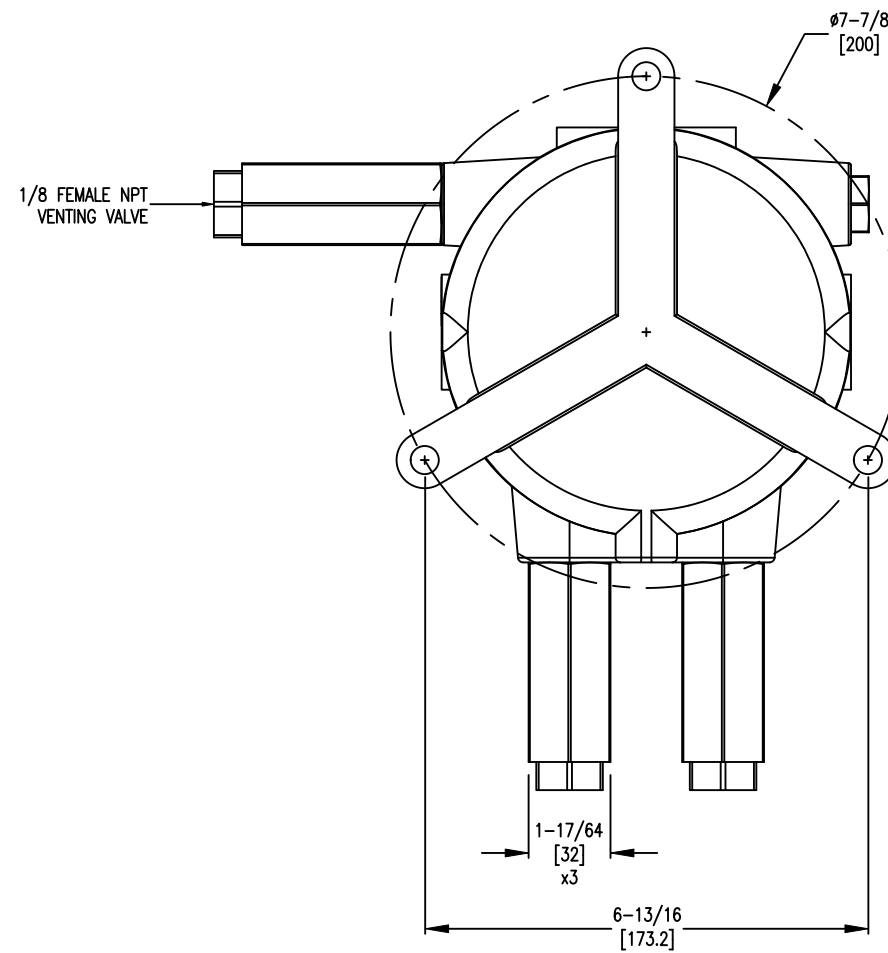


AT-101NA-1800 (VL1 / DTC013)



AT-101NA-1800 (VL1 / DTC013 / BACKSIDE VIEW)



Ⓢ = CRITICAL DIMENSION
STANDARD TOLERANCES UNLESS NOTED:
ALL DECIMAL DIMENSIONS ± .005
ALL ANGLES ± 1°

SCALE 3:1

| | | | | | |
|-----|---------|---------|------------------|---|---|
| | | | DATE 09-08-20 | NAME | MATERIAL |
| | | | DWN BY DPR | ARTWORK, SERIES 1800 WITH ATEX/IECEX CERTIFIED ALUMINUM ENCLOSURE LD PRESSURE PORT LD VENTING VALVE (FOR REFERENCE ONLY) ACAD2002 | FINISH |
| | | | CHKD KAS | | DWYER INSTRUMENTS, INC. MICHIGAN CITY, INDIANA 46360 U.S.A. |
| | | | APPD FAE | | |
| NO. | CHANGES | BY/DATE | | | |

NOTICE: This drawing and the principles and elements of design embodied therein are the exclusive property of DWYER INSTRUMENTS, INC. and are not to be communicated, disclosed, reproduced or used except as previously authorized in writing by such corporation and must not be submitted to outside parties for examination without the written consent of said corporation.