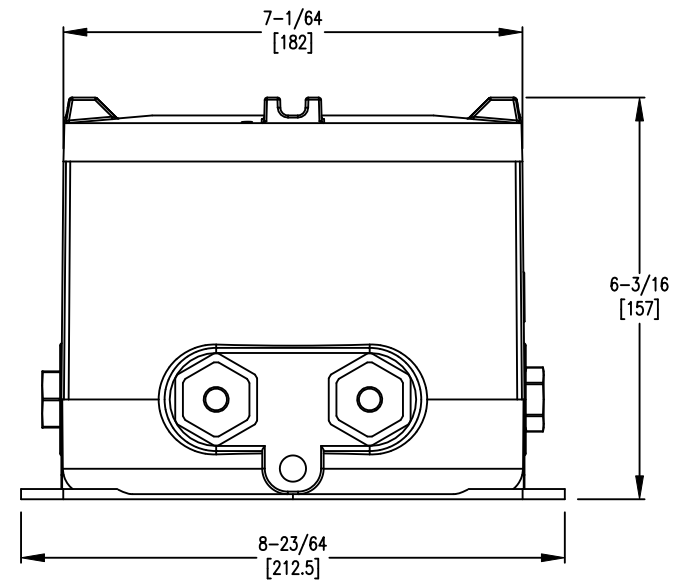
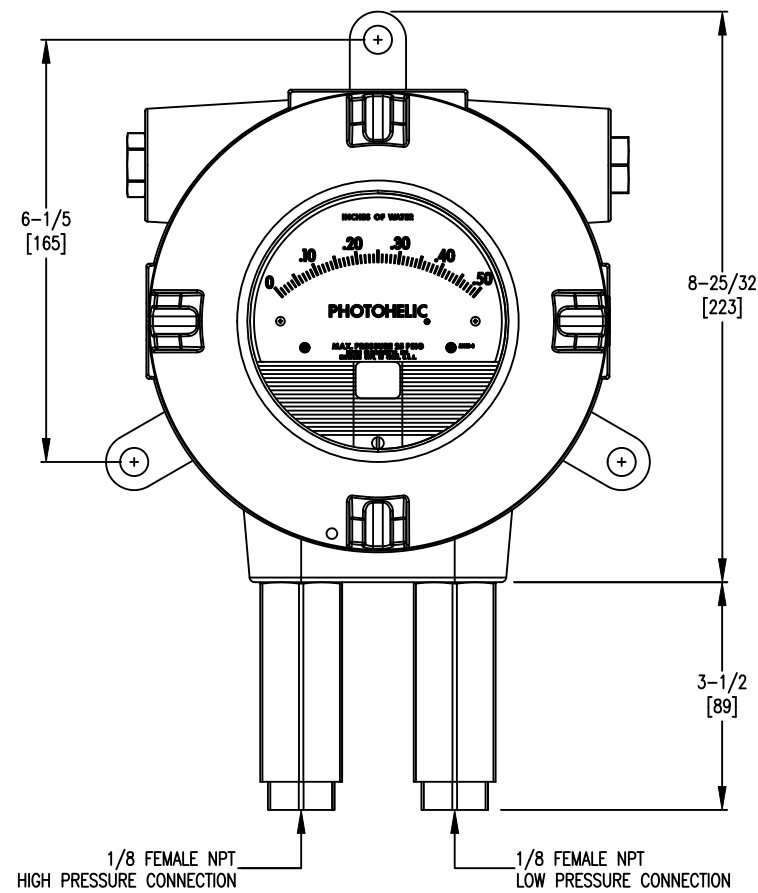
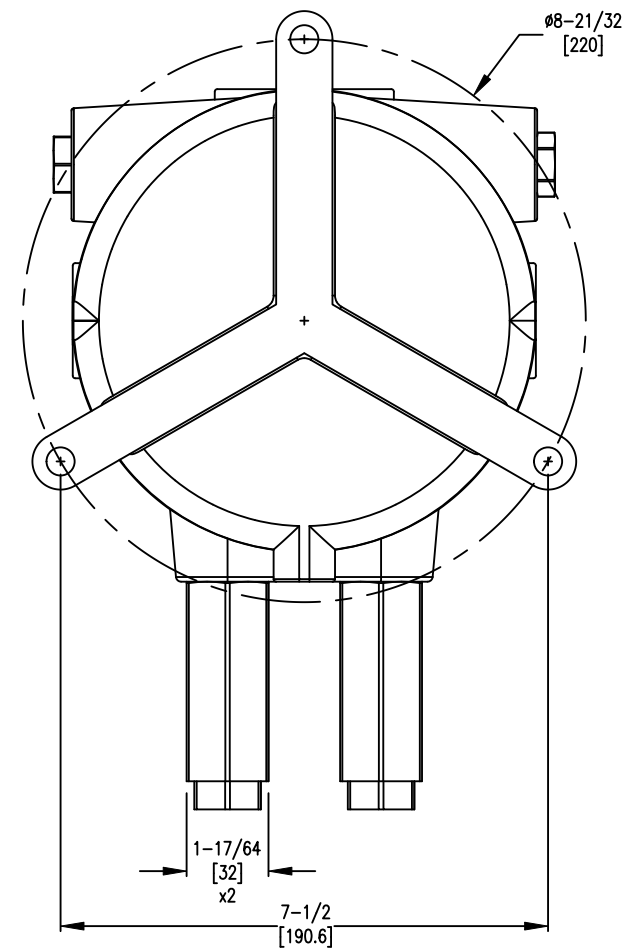


AT-102NA-3000MR/MRS (VLO / DTC005)



AT-102NA-3000MR/MRS (VLO / DTC005 / BACKSIDE VIEW)



Ⓢ = CRITICAL DIMENSION  
 STANDARD TOLERANCES UNLESS NOTED:  
 ALL DECIMAL DIMENSIONS ± .005  
 ALL ANGLES ± 1°

SCALE 3:1

		DATE	NAME	MATERIAL
		12-14-20	ARTWORK, SERIES 3000MR/MRS	
		DWN BY	WITH ATEX/IECEx CERTIFIED	FINISH
		DPR	ALUMINUM ENCLOSURE W/WINDOW	
		CHKD	LD PRESSURE PORT	
		KAS	NO VENTING VALVE	
		APPD	(FOR REFERENCE ONLY)	<b>DWYER INSTRUMENTS, INC.</b>
		FAE	ACAD2002	MICHIGAN CITY, INDIANA 46360 U.S.A.
NO.	CHANGES	BY/DATE		FR. NO. 701469-11
NOTICE: This drawing and the principles and elements of design embodied therein are the exclusive property of DWYER INSTRUMENTS, INC. and are not to be communicated, disclosed, reproduced or used except as previously authorized in writing by such corporation and must not be submitted to outside parties for examination without the written consent of said corporation.				3