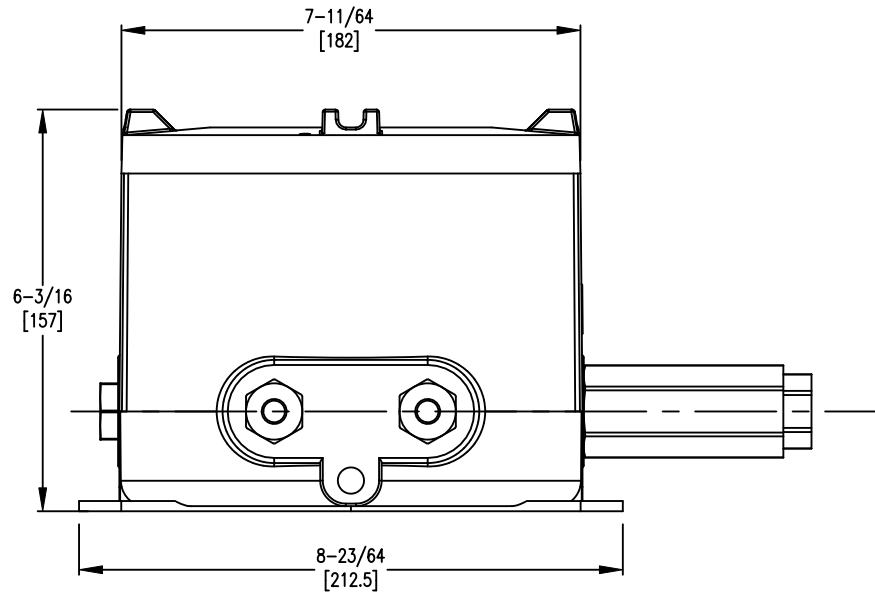
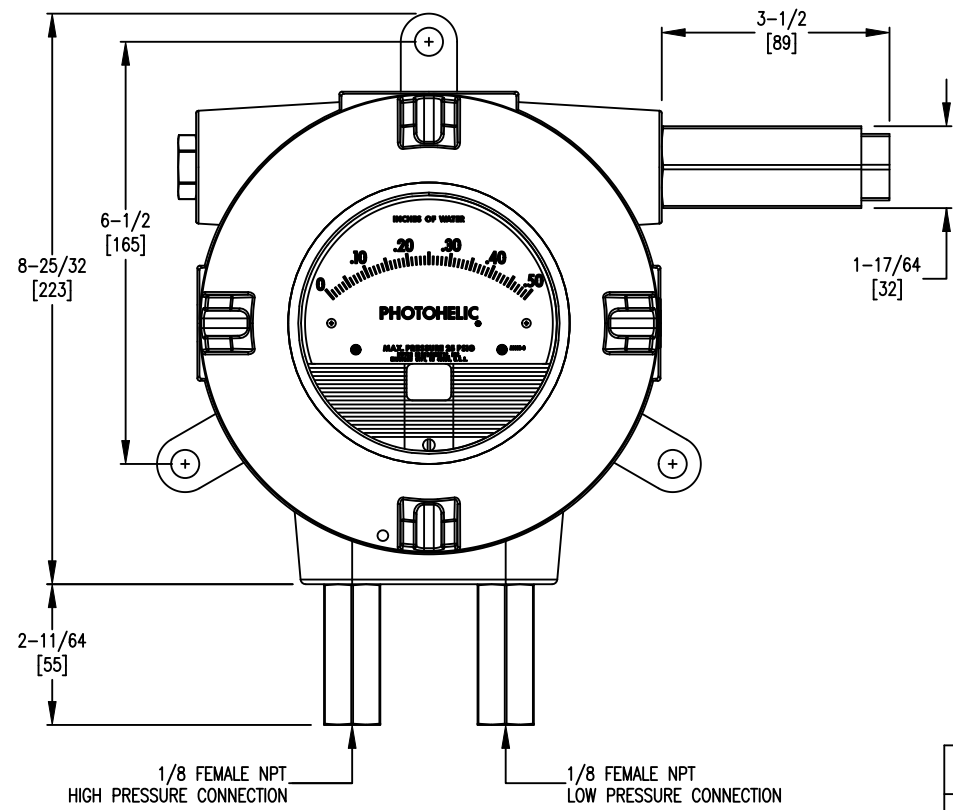
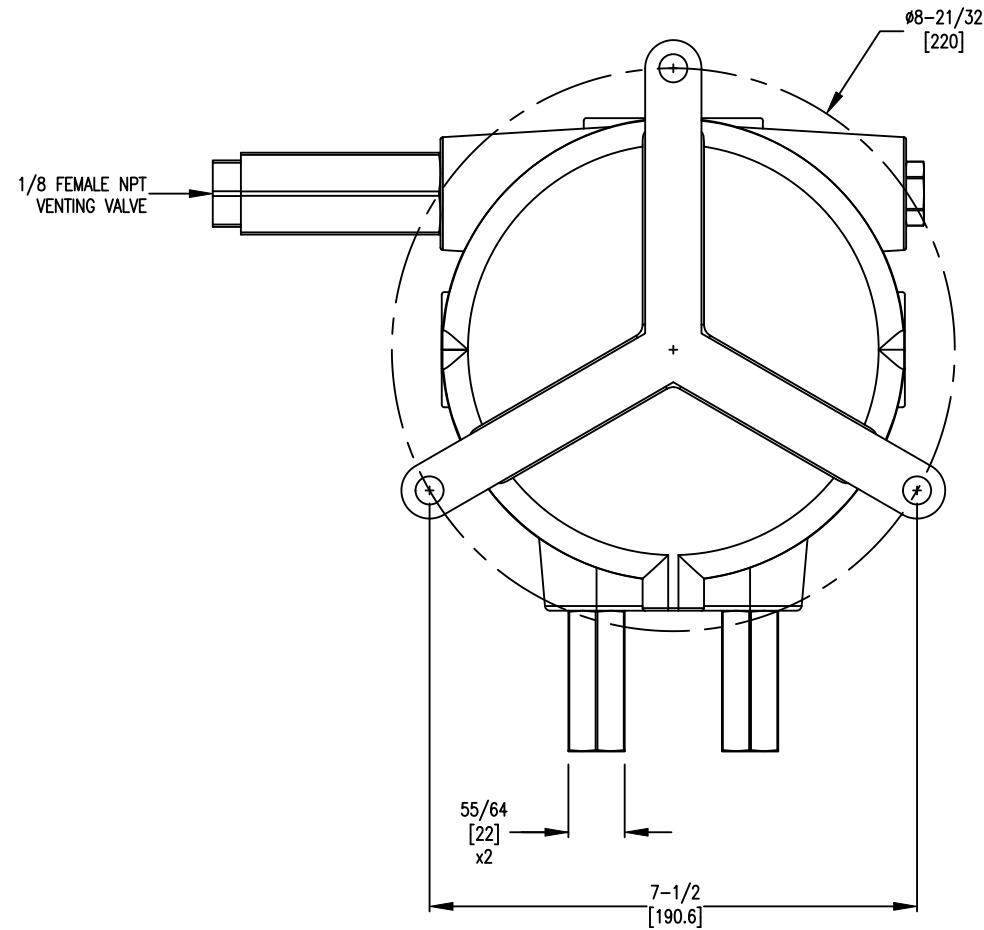


AT-102NA-3000MR/MRS (VS2 / DTC018 / W)



AT-102NA-3000MR/MRS (VS2 / DTC018 / W / BACKSIDE VIEW)



SCALE 3:1

Ⓢ = CRITICAL DIMENSION
STANDARD TOLERANCES UNLESS NOTED:
ALL DECIMAL DIMENSIONS ± .005
ALL ANGLES ± 1°

		DATE	NAME	MATERIAL
		12-15-20	ARTWORK, SERIES 3000MR/MRS	
		DWN BY	WITH ATEX/IECEx CERTIFIED	FINISH
		DPR	ALUMINUM ENCLOSURE W/WINDOW	
		CHKD	STD PRESSURE PORT	DWYER INSTRUMENTS, INC. MICHIGAN CITY, INDIANA 46360 U.S.A.
		KAS	LD VENTING VALVE	
		APPD	(FOR REFERENCE ONLY)	
		FAE	ACAD2002	
NO.	CHANGES	BY/DATE		FR. NO. 701469-31
<p>NOTICE: This drawing and the principles and elements of design embodied therein are the exclusive property of DWYER INSTRUMENTS, INC. and are not to be communicated, disclosed, reproduced or used except as previously authorized in writing by such corporation and must not be submitted to outside parties for examination without the written consent of said corporation.</p>				3