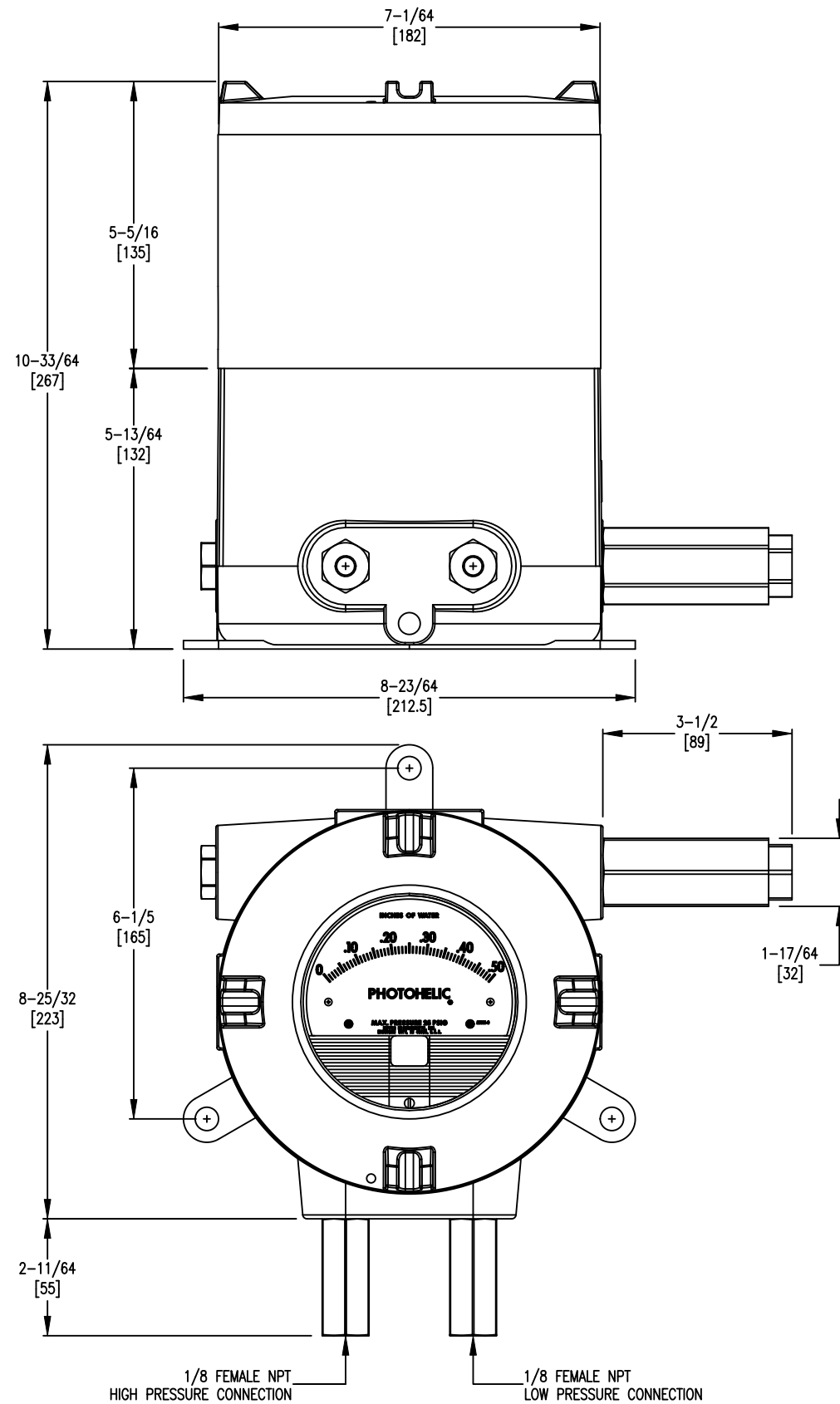
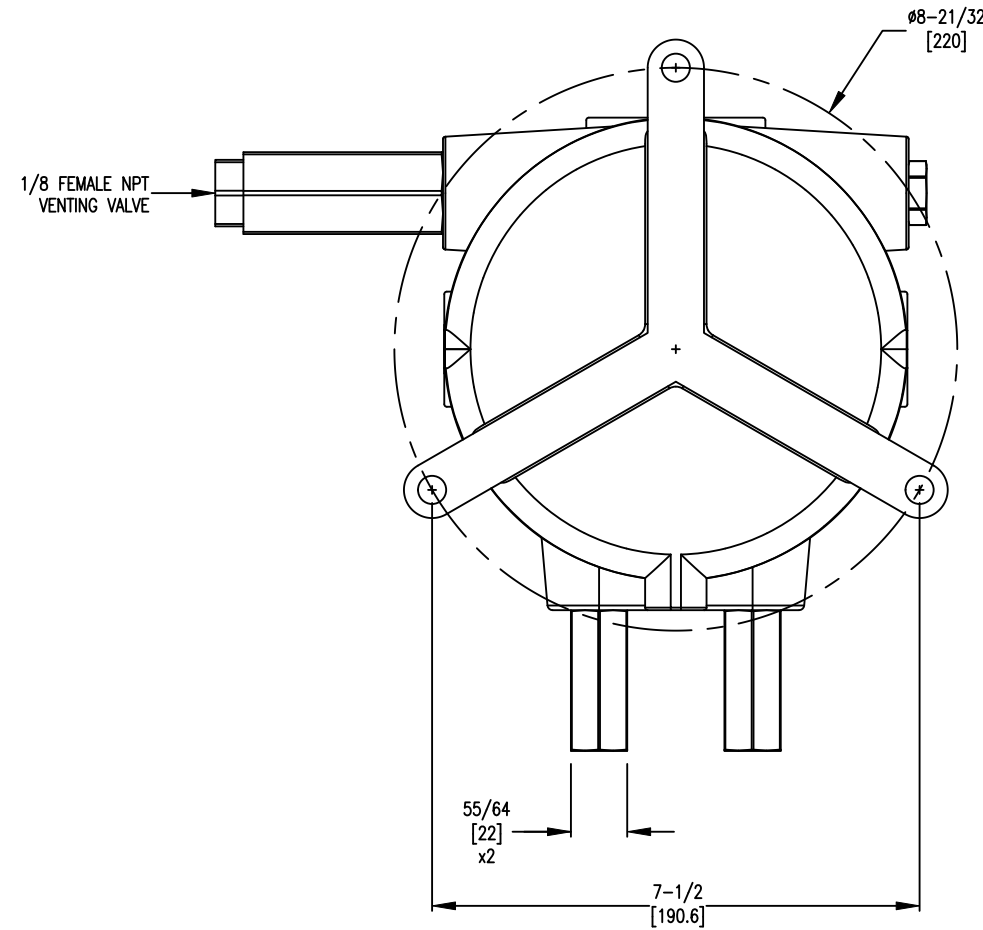


AT-102PA-A3000 (VS2 / DTC021 / W)



AT-102NA-A3000 (VS2 / DTC021 / W / BACKSIDE VIEWP)



SCALE 3:1

Ⓢ = CRITICAL DIMENSION  
STANDARD TOLERANCES UNLESS NOTED:  
ALL DECIMAL DIMENSIONS ± .005  
ALL ANGLES ± 1°

		DATE 01-27-21	NAME ARTWORK, SERIES A3000 WITH ATEX/IECEX CERTIFIED ALUMINUM ENCLOSURE W/WINDOW STD PRESSURE PORT LD VENTING VALVE (FOR REFERENCE ONLY)	MATERIAL
		DWN BY DPR		FINISH
		CHKD KAS		<b>DWYER INSTRUMENTS, INC.</b> MICHIGAN CITY, INDIANA 46360 U.S.A.
		APPD FAE	ACAD2002	
NO.	CHANGES	BY/DATE		FR. NO. 701472-31
<p>NOTICE: This drawing and the principles and elements of design embodied therein are the exclusive property of DWYER INSTRUMENTS, INC. and are not to be communicated, disclosed, reproduced or used except as previously authorized in writing by such corporation and must not be submitted to outside parties for examination without the written consent of said corporation.</p>				3