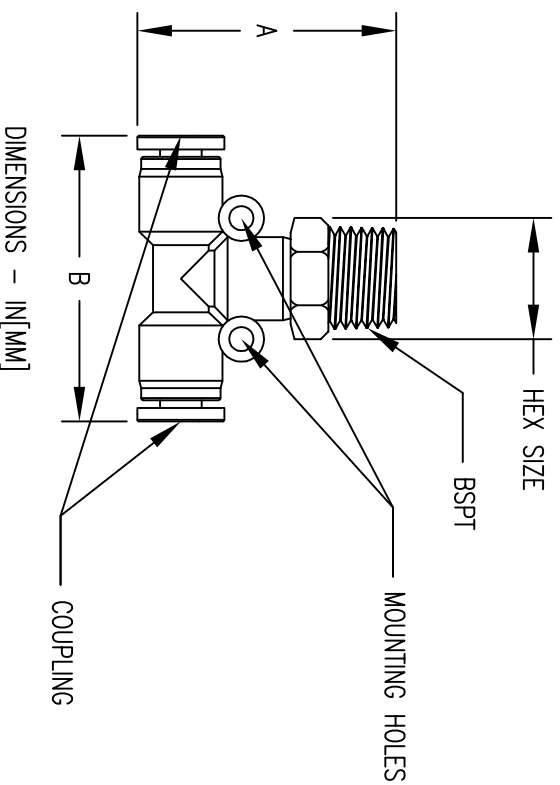
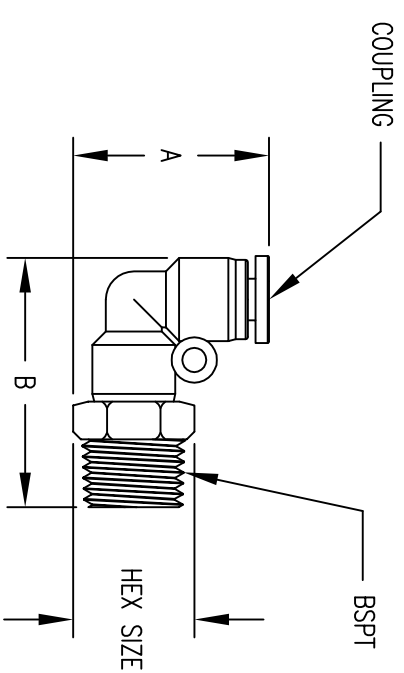


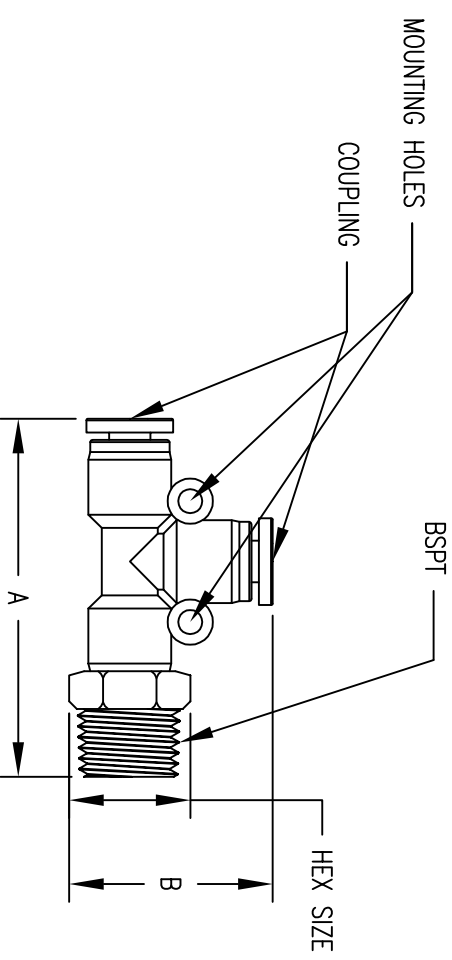
MODEL NUMBER	COUPLING SIZE	BSPT SIZE	HEX SIZE	A
A-3001-1	4MM	1/8	1/2	.79 [20.3]
A-3001-2	4MM	1/4	1/2	.86 [21.8]
A-3001-3	6MM	1/8	1/2	.82 [20.9]
A-3001-4	6MM	1/4	1/2	.88 [22.4]
A-3001-5	8MM	1/8	1/2	1.01 [25.7]
A-3001-6	8MM	1/4	1/2	.95 [24.2]



MODEL NUMBER	COUPLING SIZE	BSPT SIZE	HEX SIZE	A	B
A-3001-1	4MM	1/8	1/2	1.31 [33.3]	1.49 [37.8]
A-3001-2	4MM	1/4	1/2	1.35 [34.3]	1.49 [37.8]
A-3001-3	6MM	1/8	1/2	1.43 [36.3]	1.64 [41.6]
A-3001-4	6MM	1/4	1/2	1.47 [37.3]	1.64 [41.6]
A-3001-5	8MM	1/8	1/2	1.53 [38.9]	1.83 [46.6]
A-3001-6	8MM	1/4	1/2	1.57 [39.9]	1.83 [46.6]



MODEL NUMBER	COUPLING SIZE	BSPT SIZE	HEX SIZE	A	B
A-3001-1	4MM	1/8	1/2	.98 [24.9]	1.26 [32]
A-3001-2	4MM	1/4	1/2	1.02 [25.9]	1.30 [33]
A-3001-3	6MM	1/8	1/2	1.09 [27.7]	1.41 [35.8]
A-3001-4	6MM	1/4	1/2	1.13 [28.8]	1.45 [36.8]
A-3001-5	8MM	1/8	1/2	1.23 [31.3]	1.53 [38.9]
A-3001-6	8MM	1/4	1/2	1.26 [32]	1.57 [39.9]



MODEL NUMBER	COUPLING SIZE	BSPT SIZE	HEX SIZE	A	B
A-3001-1	4MM	1/8	1/2	1.83 [46.4]	1.02 [25.9]
A-3001-2	4MM	1/4	1/2	1.87 [47.4]	1.06 [26.9]
A-3001-3	6MM	1/8	1/2	1.97 [50.1]	1.09 [27.8]
A-3001-4	6MM	1/4	1/2	2.01 [51.1]	1.13 [28.8]
A-3001-5	8MM	1/8	1/2	2.16 [54.9]	1.23 [31.3]
A-3001-6	8MM	1/4	1/2	2.20 [55.9]	1.26 [32]

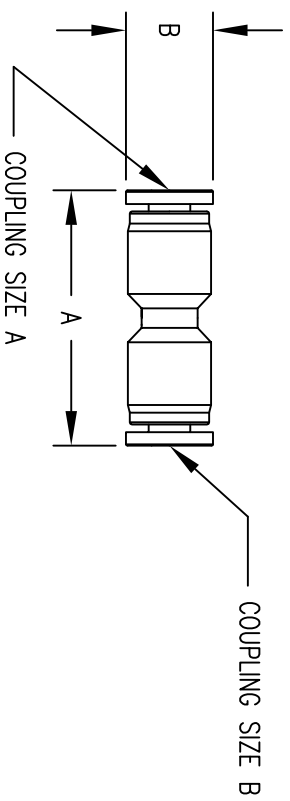
SCALE 1:1

© = CRITICAL DIMENSION
 STANDARD TOLERANCES UNLESS NOTED:
 ALL DECIMAL DIMENSIONS ± .005
 ALL ANGLES ± 1°

NO.		DATE		NAME		MATERIAL	FINISH
				DWN	BY	A-3000 SERIES METRIC COUPLING TO BSPT FITTING	
				CHKD			
				APPD			
CHANGES						ACAD2002	
FR. NO.							

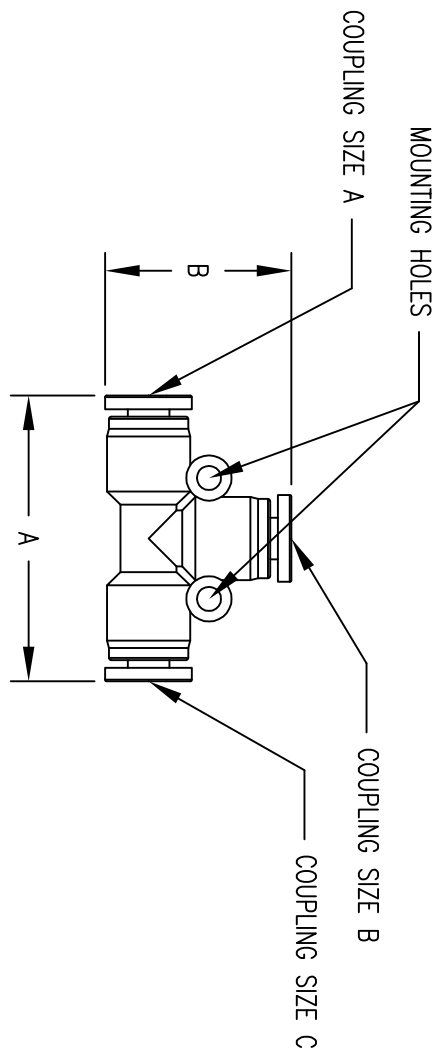
NOTICE: This drawing and the principles and elements of design embodied therein are the exclusive property of DWYER INSTRUMENTS, INC. and are not to be communicated, disclosed, reproduced or used except as previously authorized in writing by such corporation and must not be submitted to outside parties for examination without the written consent of said corporation.

DWYER INSTRUMENTS, INC.
 MICHIGAN CITY, INDIANA 46360 U.S.A.



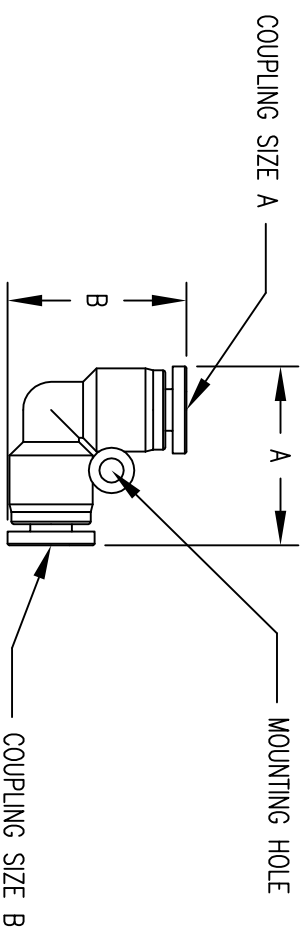
DIMENSIONS - IN[MM]

MODEL NUMBER	COUPLING SIZE A	COUPLING SIZE B	A	B
A-3025-0	3/16"	3/16"	1.33 [33.8]	.45 [11.5]
A-3025-1	1/4"	1/4"	1.38 [35]	.55 [14]
A-3025-2	5/16"	5/16"	1.53 [38.9]	.57 [14.6]
A-3025-3	3/8"	3/8"	1.62 [41.1]	.69 [17.6]
A-3029-0	1/4"	3/16"	1.39 [35.4]	.55 [14]
A-3029-1	5/16"	1/4"	1.49 [38]	.57 [14.4]
A-3029-2	3/8"	1/4"	1.50 [38.1]	.57 [14.4]
A-3029-3	3/8"	5/16"	1.62 [41.1]	.69 [17.6]



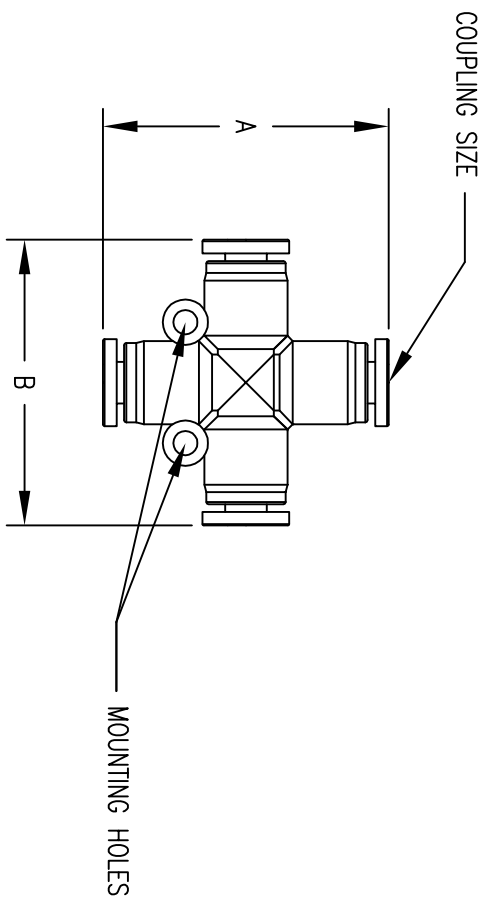
DIMENSIONS - IN[MM]

MODEL NUMBER	COUPLING SIZE A	COUPLING SIZE B	COUPLING SIZE C	A	B
A-3027-0	3/16"	3/16"	3/16"	1.49 [37.8]	.97 [24.7]
A-3027-1	1/4"	1/4"	1/4"	1.64 [41.6]	1.09 [27.8]
A-3027-2	5/16"	5/16"	5/16"	1.83 [46.6]	1.20 [30.6]
A-3027-3	3/8"	3/8"	3/8"	1.98 [50.4]	1.33 [33.8]
A-3030-0	1/4"	3/16"	1/4"	1.64 [41.6]	1.09 [27.7]
A-3030-1	5/16"	1/4"	5/16"	1.83 [46.6]	1.19 [30.3]
A-3030-2	3/8"	1/4"	3/8"	1.98 [50.4]	1.20 [30.4]
A-3030-3	3/8"	5/16"	3/8"	1.98 [50.4]	1.33 [33.8]



DIMENSIONS - IN[MM]

MODEL NUMBER	COUPLING SIZE A	COUPLING SIZE B	A	B
A-3026-0	3/16"	3/16"	.93 [23.7]	.93 [23.7]
A-3026-1	1/4"	1/4"	1.09 [27.8]	1.09 [27.8]
A-3026-2	5/16"	5/16"	1.20 [30.6]	1.20 [30.6]
A-3026-3	3/8"	3/8"	1.33 [33.8]	1.33 [33.8]



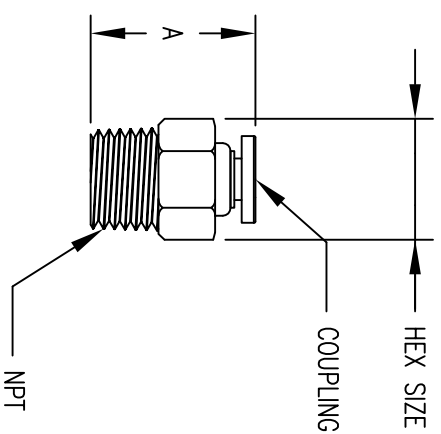
DIMENSIONS - IN[MM]

MODEL NUMBER	COUPLING SIZE	A	B
A-3028-0	3/16"	1.49 [37.8]	1.49 [37.8]
A-3028-1	1/4"	1.64 [41.6]	1.64 [41.6]
A-3028-2	5/16"	1.83 [46.6]	1.83 [46.6]
A-3028-3	3/8"	1.98 [50.4]	1.98 [50.4]

SCALE 1:1

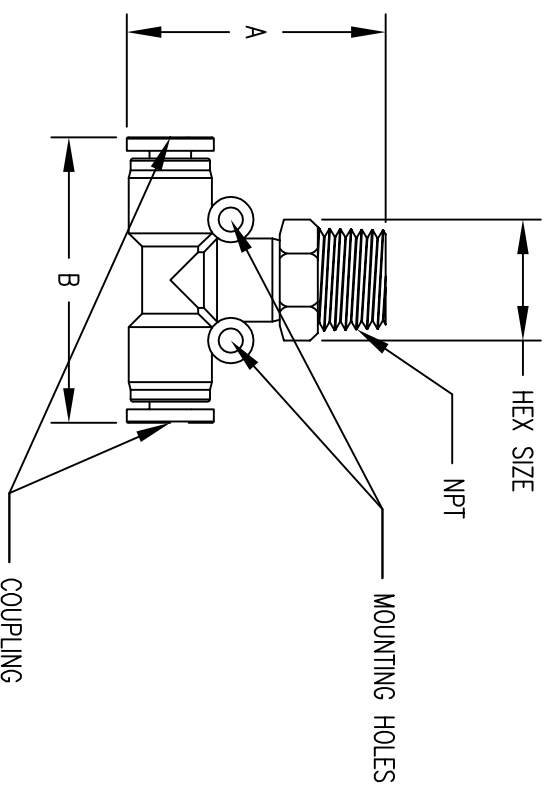
© = CRITICAL DIMENSION
 STANDARD TOLERANCES UNLESS NOTED:
 ALL DECIMAL DIMENSIONS ± .005
 ALL ANGLES ± 1°

DATE		NAME		A-3000 SERIES INCH DIAMETER COUPLINGS	MATERIAL
DWN BY	BY/DATE	APPD	FR. NO.		
CHKD	CHANGES	NO.	ACAD2002		
NOTICE: This drawing and the principles and elements of design embodied therein are the exclusive property of DWYER INSTRUMENTS, INC. and are not to be communicated, disclosed, reproduced or used except as previously authorized in writing by such corporation and must not be submitted to outside parties for examination without the written consent of said corporation.				DWYER INSTRUMENTS, INC. MICHIGAN CITY, INDIANA 46360 U.S.A.	



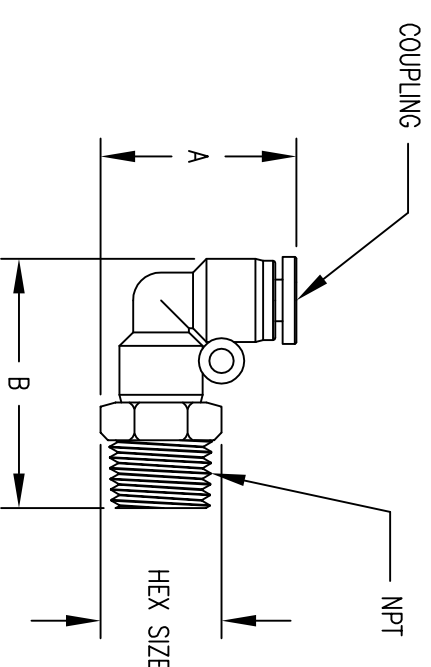
DIMENSIONS - IN[MM]

MODEL NUMBER	COUPLING SIZE	NPT SIZE	HEX SIZE	A
A-3021-1	1/4"	1/8	1/2	.79[20.3]
A-3021-2	1/4"	1/4	1/2	.86[21.8]
A-3021-3	5/16"	1/8	1/2	.82[20.9]
A-3021-4	5/16"	1/4	1/2	.88[22.4]
A-3021-5	3/8"	1/8	1/2	1.01[25.7]
A-3021-6	3/8"	1/4	1/2	.95[24.2]



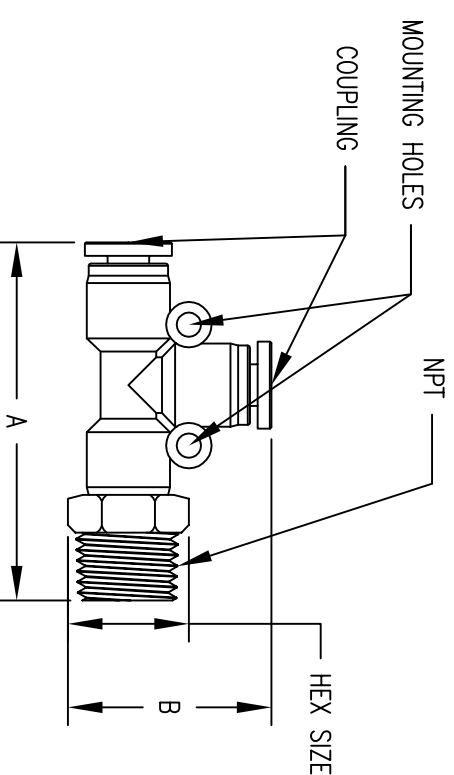
DIMENSIONS - IN[MM]

MODEL NUMBER	COUPLING SIZE	NPT SIZE	HEX SIZE	A	B
A-3023-1	1/4"	1/8	1/2	1.31[33.3]	1.49[37.8]
A-3023-2	1/4"	1/4	1/2	1.35[34.3]	1.49[37.8]
A-3023-3	5/16"	1/8	1/2	1.43[36.3]	1.64[41.6]
A-3023-4	5/16"	1/4	1/2	1.47[37.3]	1.64[41.6]
A-3023-5	3/8"	1/8	1/2	1.53[38.9]	1.83[46.6]
A-3023-6	3/8"	1/4	1/2	1.57[39.9]	1.83[46.6]



DIMENSIONS - IN[MM]

MODEL NUMBER	COUPLING SIZE	NPT SIZE	HEX SIZE	A	B
A-3022-1	1/4"	1/8	1/2	.98[24.9]	1.26[32]
A-3022-2	1/4"	1/4	1/2	1.02[25.9]	1.30[33]
A-3022-3	5/16"	1/8	1/2	1.09[27.7]	1.41[35.8]
A-3022-4	5/16"	1/4	1/2	1.13[28.8]	1.45[36.8]
A-3022-5	3/8"	1/8	1/2	1.23[31.3]	1.53[38.9]
A-3022-6	3/8"	1/4	1/2	1.26[32]	1.57[39.9]



DIMENSIONS - IN[MM]

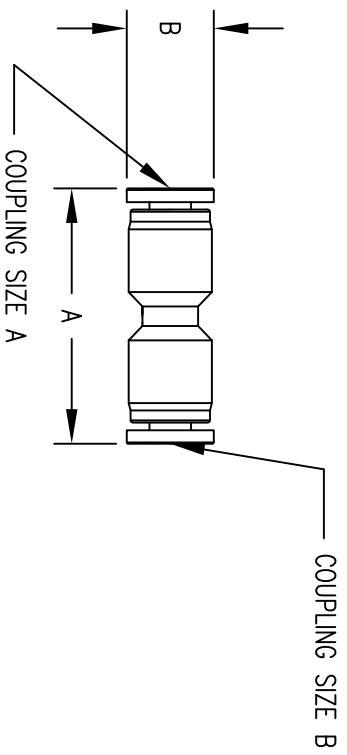
MODEL NUMBER	COUPLING SIZE	NPT SIZE	HEX SIZE	A	B
A-3024-1	1/4"	1/8	1/2	1.83[46.4]	1.02[25.9]
A-3024-2	1/4"	1/4	1/2	1.87[47.4]	1.06[26.9]
A-3024-3	5/16"	1/8	1/2	1.97[50.1]	1.09[27.8]
A-3024-4	5/16"	1/4	1/2	2.01[51.1]	1.13[28.8]
A-3024-5	3/8"	1/8	1/2	2.16[54.9]	1.23[31.3]
A-3024-6	3/8"	1/4	1/2	2.20[55.9]	1.26[32]

SCALE 1:1

© = CRITICAL DIMENSION
STANDARD TOLERANCES UNLESS NOTED:
ALL DECIMAL DIMENSIONS ± .005
ALL ANGLES ± 1°

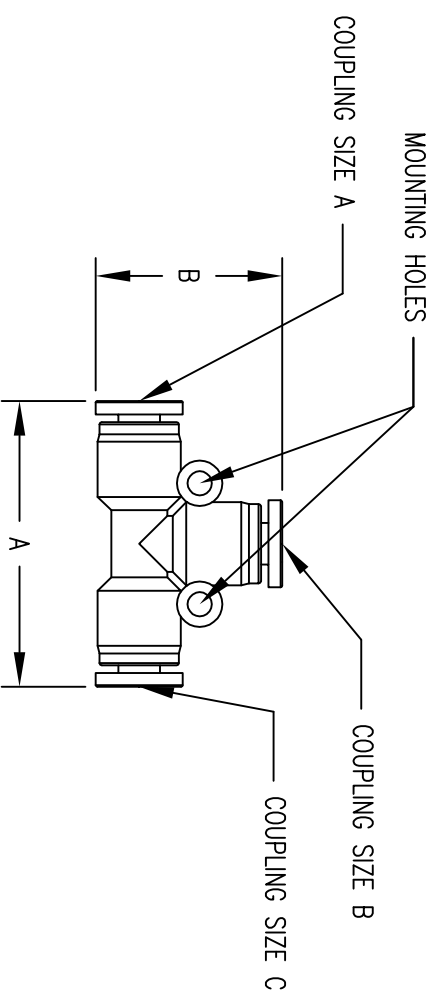
NO.	CHANGES	DATE	NAME	MATERIAL
			A-3000 SERIES INCH COUPLING TO NPT FITTING	
		DWN BY		FINISH
		CHKD		
		APPD		
		BY/DATE		
			ACAD2002	
			3	
			FR. NO.	
			Dwyer Instruments, Inc. MICHIGAN CITY, INDIANA 46360 U.S.A.	

NOTICE: This drawing and the principles and elements of design embodied therein are the exclusive property of DWYER INSTRUMENTS, INC. and are not to be communicated, disclosed, reproduced or used except as previously authorized in writing by such corporation and must not be submitted to outside parties for examination without the written consent of said corporation.



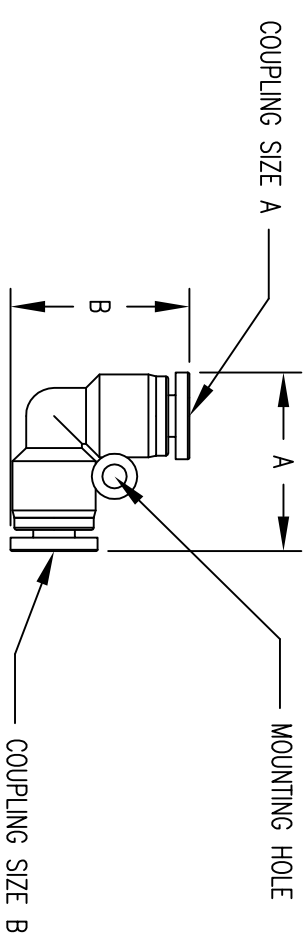
DIMENSIONS - IN[MM]

MODEL NUMBER	COUPLING SIZE A	COUPLING SIZE B	A	B
A-3005-1	4MM	4MM	1.33[33.8]	.45[11.5]
A-3005-2	6MM	6MM	1.38[35]	.55[14]
A-3005-3	8MM	8MM	1.53[38.9]	.57[14.6]
A-3009-1	6MM	4MM	1.39[35.4]	.55[14]
A-3009-2	8MM	4MM	1.49[38]	.57[14.4]
A-3009-3	8MM	6MM	1.50[38.1]	.57[14.4]
A-3009-4	10MM	6MM	1.62[41.1]	.69[17.6]



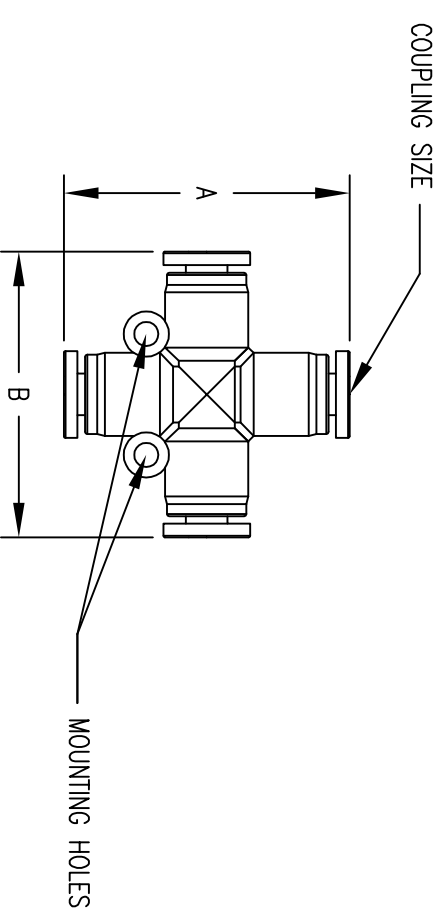
DIMENSIONS - IN[MM]

MODEL NUMBER	COUPLING SIZE A	COUPLING SIZE B	COUPLING SIZE C	A	B
A-3007-1	4MM	4MM	4MM	1.49[37.8]	.97[24.7]
A-3007-2	6MM	6MM	6MM	1.64[41.6]	1.09[27.8]
A-3007-3	8MM	8MM	8MM	1.83[46.6]	1.20[30.6]
A-3010-1	6MM	4MM	6MM	1.64[41.6]	1.09[27.7]
A-3010-2	8MM	4MM	8MM	1.83[46.6]	1.19[30.3]
A-3010-3	8MM	6MM	8MM	1.83[46.6]	1.20[30.4]
A-3010-4	10MM	6MM	10MM	1.98[50.4]	1.33[33.8]



DIMENSIONS - IN[MM]

MODEL NUMBER	COUPLING SIZE A	COUPLING SIZE B	A	B
A-3006-1	4MM	4MM	.93[23.7]	.93[23.7]
A-3006-2	6MM	6MM	1.09[27.8]	1.09[27.8]
A-3006-3	8MM	8MM	1.20[30.6]	1.20[30.6]



DIMENSIONS - IN[MM]

MODEL NUMBER	COUPLING SIZE	A	B
A-3021-1	1/4"	1.49[37.8]	1.49[37.8]
A-3021-2	1/4"	1.64[41.6]	1.64[41.6]
A-3021-3	5/16"	1.83[46.6]	1.83[46.6]

SCALE 1:1

© = CRITICAL DIMENSION
 STANDARD TOLERANCES UNLESS NOTED:
 ALL DECIMAL DIMENSIONS ± .005
 ALL ANGLES ± 1°

DATE		NAME		MATERIAL	
DWN BY		A-3000 SERIES METRIC COUPLINGS		FINISH	
CHKD		APPD		DWYER INSTRUMENTS, INC. MICHIGAN CITY, INDIANA 46360 U.S.A.	
NO.		CHANGES		FR. NO.	
		BY/DATE		ACAD2002	
				3	

NOTICE: This drawing and the principles and elements of design embodied therein are the exclusive property of DWYER INSTRUMENTS, INC. and are not to be communicated, disclosed, reproduced or used except as previously authorized in writing by such corporation and must not be submitted to outside parties for examination without the written consent of said corporation.