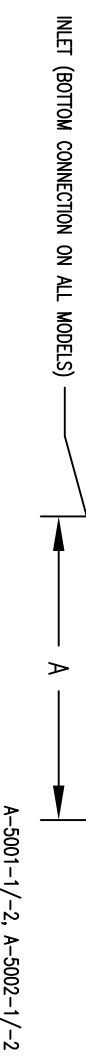
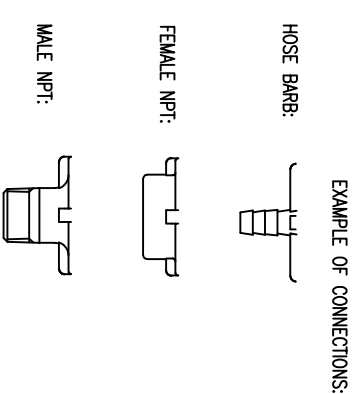


DIMENSIONS - IN (MM)

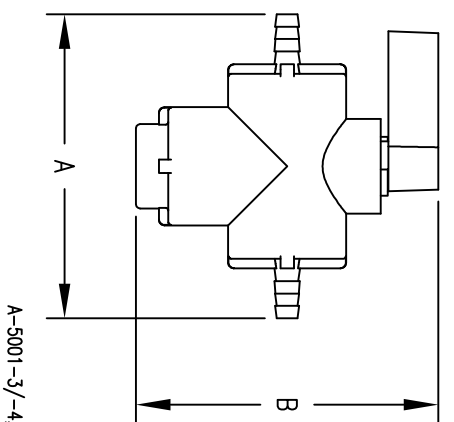
MODEL NUMBER	DIM A	DIM B
A-5001-1	2-1/4 [57.15]	2-7/16 [61.98]
A-5002-1	3-1/8 [80.52]	2-7/16 [61.98]
A-5001-2	2-1/4 [57.15]	2-29/32 [73.66]
A-5002-2	3-1/8 [80.52]	2-29/32 [73.66]



A-5001-1/-2, A-5002-1/-2

DIMENSIONS - IN (MM)

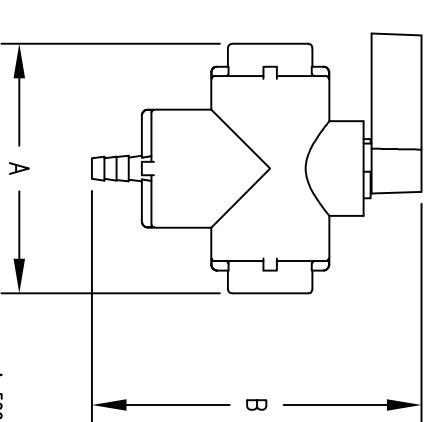
MODEL NUMBER	DIM A	DIM B
A-5001-3	2-1/4 [57.15]	2-15/64 [56.90]
A-5002-3	3-1/8 [80.52]	2-15/64 [56.90]
A-5001-4	2-1/4 [57.15]	2-15/64 [56.90]
A-5002-4	3-1/8 [80.52]	2-15/64 [56.90]



A-5001-3/-4, A-5002-3/-4

DIMENSIONS - IN (MM)

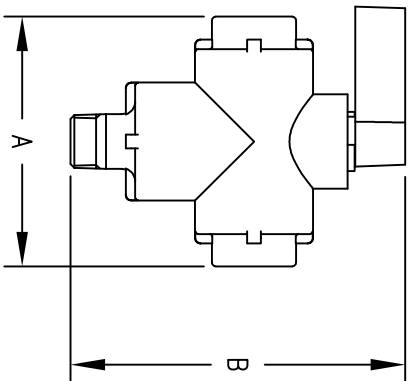
MODEL NUMBER	DIM A	DIM B
A-5003-1	1-27/32 [46.99]	2-7/16 [61.98]
A-5004-1	1-27/32 [46.99]	2-9/16 [55.28]
A-5003-2	1-27/32 [46.99]	2-9/16 [55.28]
A-5004-2	1-27/32 [46.99]	2-29/32 [73.66]



A-5003-1/-2, A-5004-1/-2

DIMENSIONS - IN (MM)

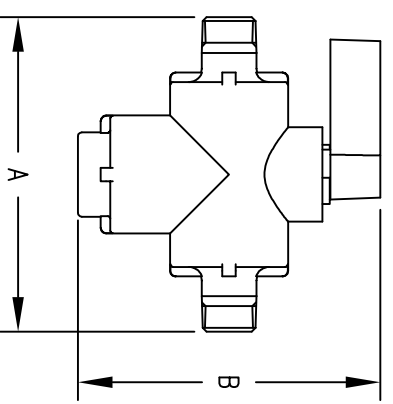
MODEL NUMBER	DIM A	DIM B
A-5003-3	1-27/32 [46.99]	2-3/64 [62.99]
A-5004-3	1-27/32 [46.99]	2-9/16 [55.28]
A-5003-4	1-27/32 [46.99]	2-9/16 [55.28]
A-5004-4	1-27/32 [46.99]	2-9/16 [55.28]



A-5003-5/-6, A-5004-5/-6

DIMENSIONS - IN (MM)

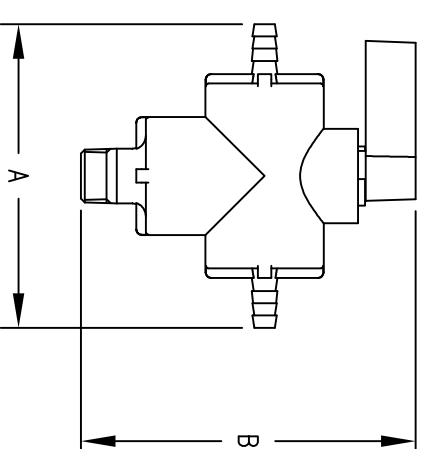
MODEL NUMBER	DIM A	DIM B
A-5005-3	2-21/64 [53.18]	2-15/64 [56.90]
A-5006-3	2-21/64 [53.18]	2-15/64 [56.90]
A-5005-4	2-21/64 [53.18]	2-15/64 [56.90]
A-5006-4	2-33/64 [53.75]	2-15/64 [56.90]



A-5005-3/-4, A-5006-3/-4

DIMENSIONS - IN (MM)

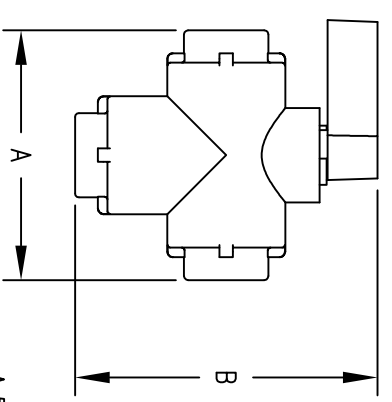
MODEL NUMBER	DIM A	DIM B
A-5001-5	2-1/4 [57.15]	2-31/64 [62.99]
A-5002-5	3-1/8 [80.52]	2-15/64 [56.90]
A-5001-6	2-1/4 [57.15]	2-9/16 [65.28]
A-5002-6	3-1/8 [80.52]	2-9/16 [65.28]



A-5001-5/-6, A-5002-5/-6

DIMENSIONS - IN (MM)

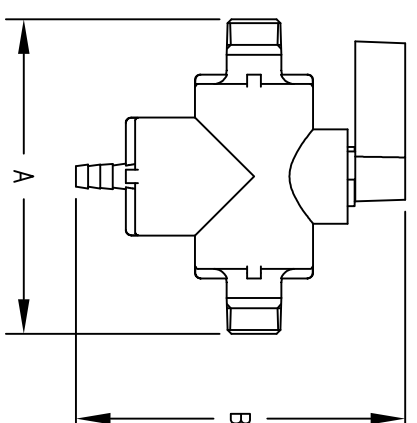
MODEL NUMBER	DIM A	DIM B
A-5003-5	1-27/32 [46.99]	2-15/64 [56.90]
A-5004-5	1-27/32 [46.99]	2-15/64 [56.90]
A-5003-4	1-27/32 [46.99]	2-29/32 [73.66]
A-5004-4	1-27/32 [46.99]	2-15/64 [56.90]



A-5003-3/-4, A-5004-3/-4

DIMENSIONS - IN (MM)

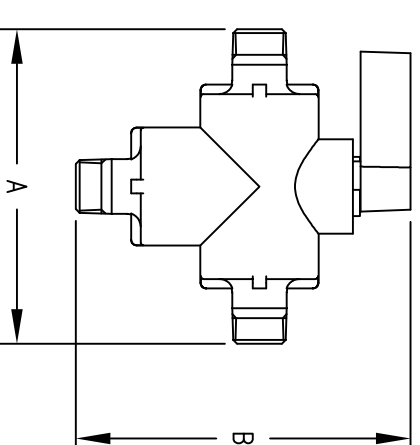
MODEL NUMBER	DIM A	DIM B
A-5005-1	2-31/64 [59.18]	2-7/16 [61.98]
A-5006-1	2-33/64 [59.75]	2-7/16 [61.98]
A-5005-2	2-21/64 [53.18]	2-9/16 [55.28]
A-5006-2	2-33/64 [53.75]	2-29/32 [73.66]



A-5005-1/-2, A-5006-1/-2

DIMENSIONS - IN (MM)

MODEL NUMBER	DIM A	DIM B
A-5005-1	2-21/64 [53.18]	2-31/64 [62.99]
A-5006-1	2-33/64 [53.75]	2-31/64 [62.99]
A-5005-2	2-21/64 [53.18]	2-9/16 [65.28]
A-5006-2	2-33/64 [53.75]	2-9/16 [65.28]



A-5005-5/-6, A-5006-5/-6

⊕ = CRITICAL DIMENSION
 STANDARD TOLERANCES UNLESS NOTED:
 ALL DIMENSIONS ± .005
 ALL ANGLES ± 1°

SCALE 1:1

NO.		DATE		NAME		A-5000 SERIES 3-WAY VALVE	ACAD2002	FR. NO.
CHANGES		BY/DATE		APPD				
MATERIAL		FINISH		DWMN BY		DWYER INSTRUMENTS, INC.		
						MICHIGAN CITY, INDIANA 46360 U.S.A.		

NOTICE: This drawing and the principles and elements of design embodied therein are the exclusive property of DWYER INSTRUMENTS, INC. and are made available for examination without the written consent of said corporation.