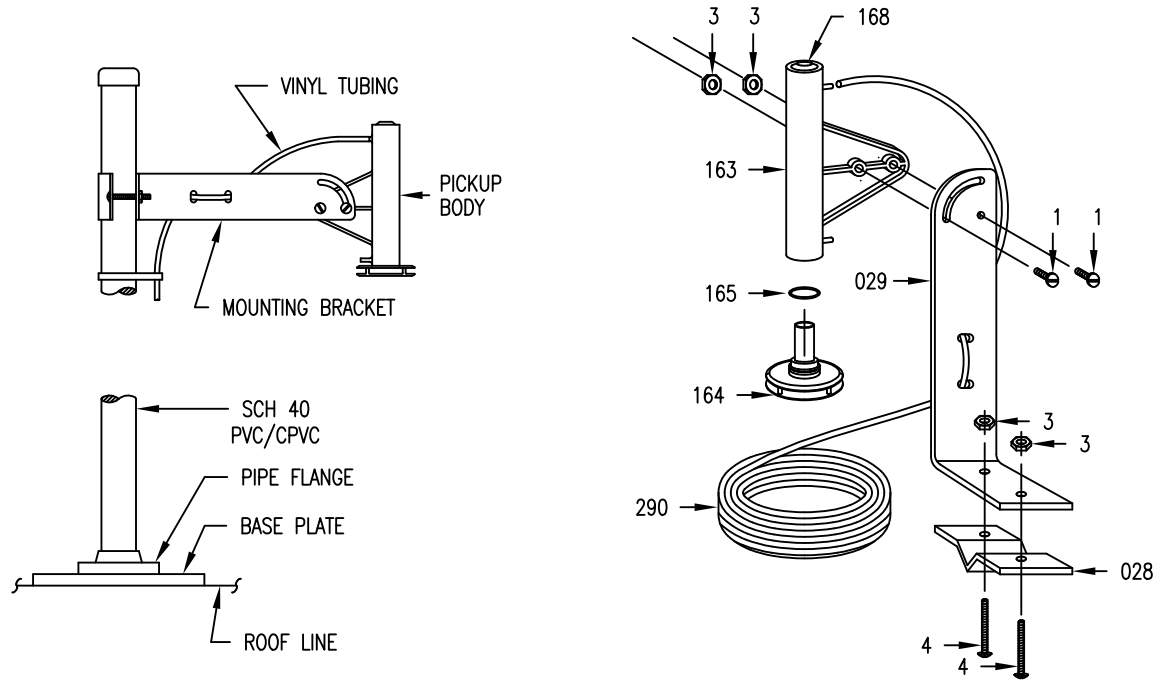


NOTE: 1 1/4" SCH. 40 MAX.
PIPESIZE

PARTS LIST		PARTS LIST	
PART #	DESCRIPTION	PART #	DESCRIPTION
160	WIND PICK UP ASSEMBLY (CONSISTS OF PARTS NO. 163, 164, 165,	020	ROOF TOP MOUNTING KIT (CONSISTS OF PARTS NO. 028, 029, 1, 3, & 4)
163	PICK UP BODY	028	ANTENNA CLAMP
164	STATIC PRESSURE PLATES	029	MOUNTING BRACKET
165	"O" RING SEAL	290	TUBING, 50 FT.
168	HOLE PLUG	1	(2) NO. 10-32 X 1/2" MACHINE SCREW
		3	(4) NO. 10-32 NUT
		4	(2) NO. 10-32 X 1 3/4" MACHINE SCREW



Ⓢ = CRITICAL DIMENSION
STANDARD TOLERANCES UNLESS NOTED:
ALL DECIMAL DIMENSIONS ± .005
ALL ANGLES ± 1°

			DATE	NAME	MATERIAL
			DWN BY	A-306 OUTDOOR STATIC PRESSURE SENSOR	FINISH
			CHKD		DWYER INSTRUMENTS, INC. MICHIGAN CITY, INDIANA 46360 U.S.A.
			APPD		
NO.	CHANGES	BY/DATE			ACAD2002
<p>NOTICE: This drawing and the principles and elements of design embodied therein are the exclusive property of DWYER INSTRUMENTS, INC. and are not to be communicated, disclosed, reproduced or used except as previously authorized in writing by such corporation and must not be submitted to outside parties for examination without the written consent of said corporation.</p>					3