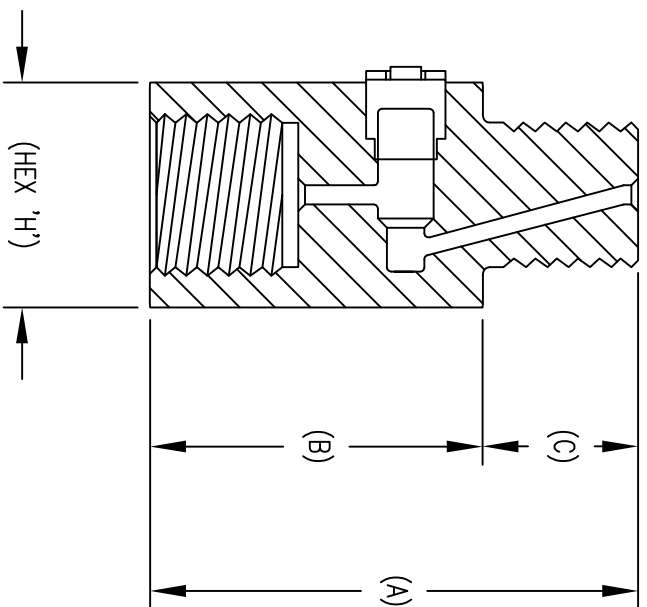
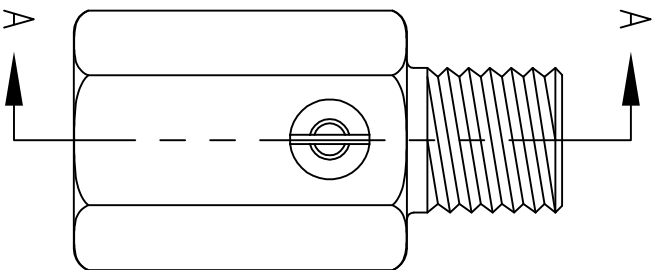


CONNECTIONS	A	B	C	HEX 'H'
1/4" (MxF)	55	42	13	25.0
3/8" (MxF)	60	44	16	28.0
1/2" (MxF)	60	40	20	28.0



SCALE 1:1

Ⓢ = CRITICAL DIMENSION
 STANDARD TOLERANCES, UNLESS NOTED:
 ALL DECIMAL DIMENSIONS ± .005
 ALL ANGLES ± 1°

NO.		CHANGES		BY/DATE		APPD		NAME		ADJUSTABLE PRESSURE SNUBBER		MATERIAL	
								DATE		DWN BY		FINISH	
										CHKD		FR. NO.	
										ACAD2002		Dwyer Instruments, Inc. MICHIGAN CITY, INDIANA 46360 U.S.A.	

NOTICE: This drawing and the principles and elements of design embodied therein are the exclusive property of DWYER INSTRUMENTS, INC. and are not to be communicated, disclosed, reproduced or used except as previously authorized in writing by such corporation and must not be submitted to outside parties for examination without the written consent of said corporation.