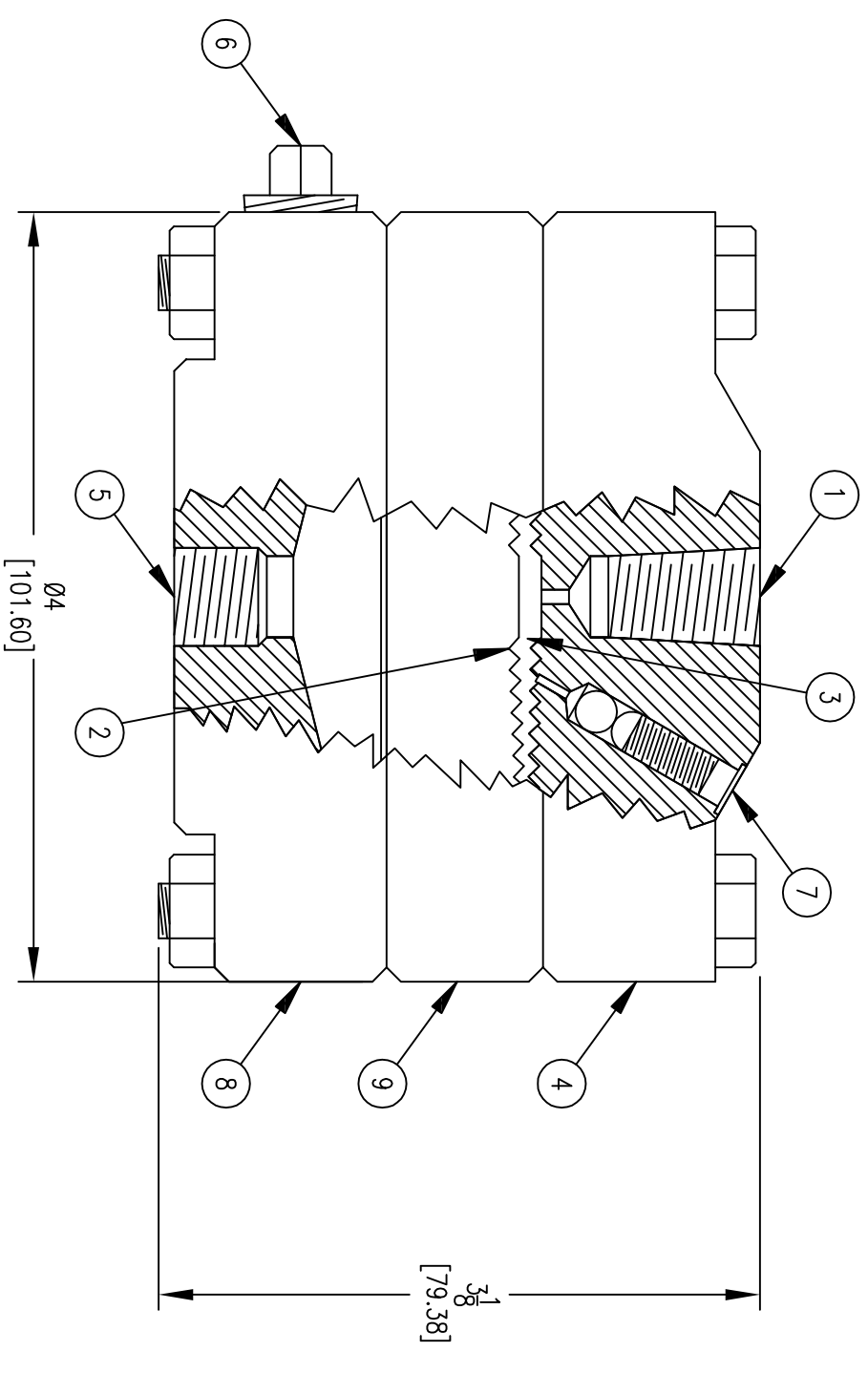


TYPE MSAG
(PLAIN)

1. PRESSURE CONTROL CONNECTION
2. DIAPHRAGM; 316SS, FEP-COATED 316SS OR TANTALUM
3. LIQUID FILL
4. TOP BOWL, RUST-RESISTANT FINISH
5. SEAL-TO-SYSTEM CONNECTION
1/4", 1/2", 3/4" 1", or 1-1/4" NPT
6. FLUSHING CONNECTION (1/4"NPT) AND REMOVABLE PLUG
7. BLEED SCREW
8. BOTTOM BOWL, RUST-RESISTANT FINISH STEEL OR 316SS
9. CLEAN-OUT RING



TYPE MSAH
(CLEAN-OUT)

NOT TO SCALE

Ⓢ = CRITICAL DIMENSION
STANDARD TOLERANCES UNLESS NOTED:
ALL DECIMAL DIMENSIONS ± .005
ALL ANGLES ± 1°

| | | | | | | | |
|-----|--|---------|--|-----------------|--|--|--|
| | | DATE | | NAME | | MATERIAL | |
| | | DWN BY | | MSAG MSAH | | FINISH | |
| | | CHKD | | DIAPHRAGM SEALS | | | |
| | | APPD | | | | | |
| NO. | | CHANGES | | BY/DATE | | FR. NO. | |
| | | | | ACAD2002 | | 3 | |
| | | | | | | Dwyer Instruments, Inc. MICHIGAN CITY, INDIANA 46360 U.S.A. | |

NOTICE: This drawing and the principles and elements of design embodied therein are the exclusive property of DWYER INSTRUMENTS, INC. and are not to be communicated, disclosed, reproduced or used except as previously authorized in writing by such corporation and must not be submitted to outside parties for examination without the written consent of said corporation.