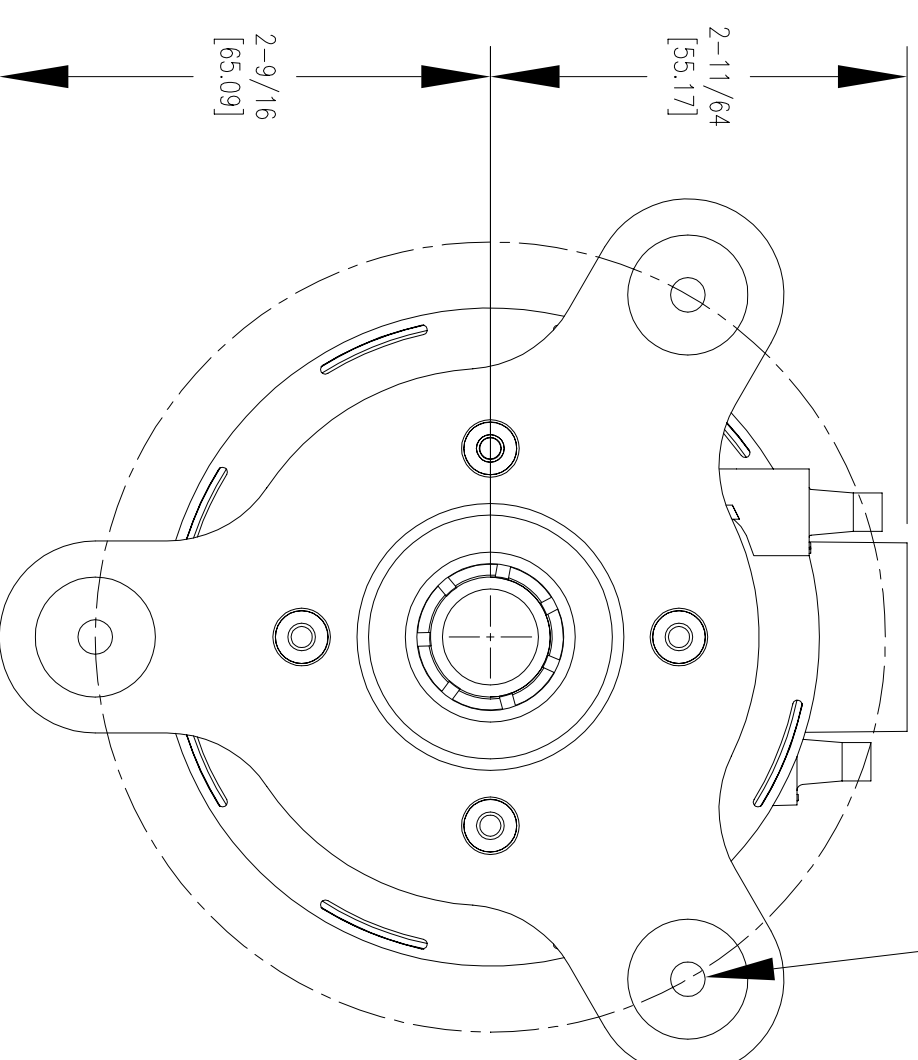
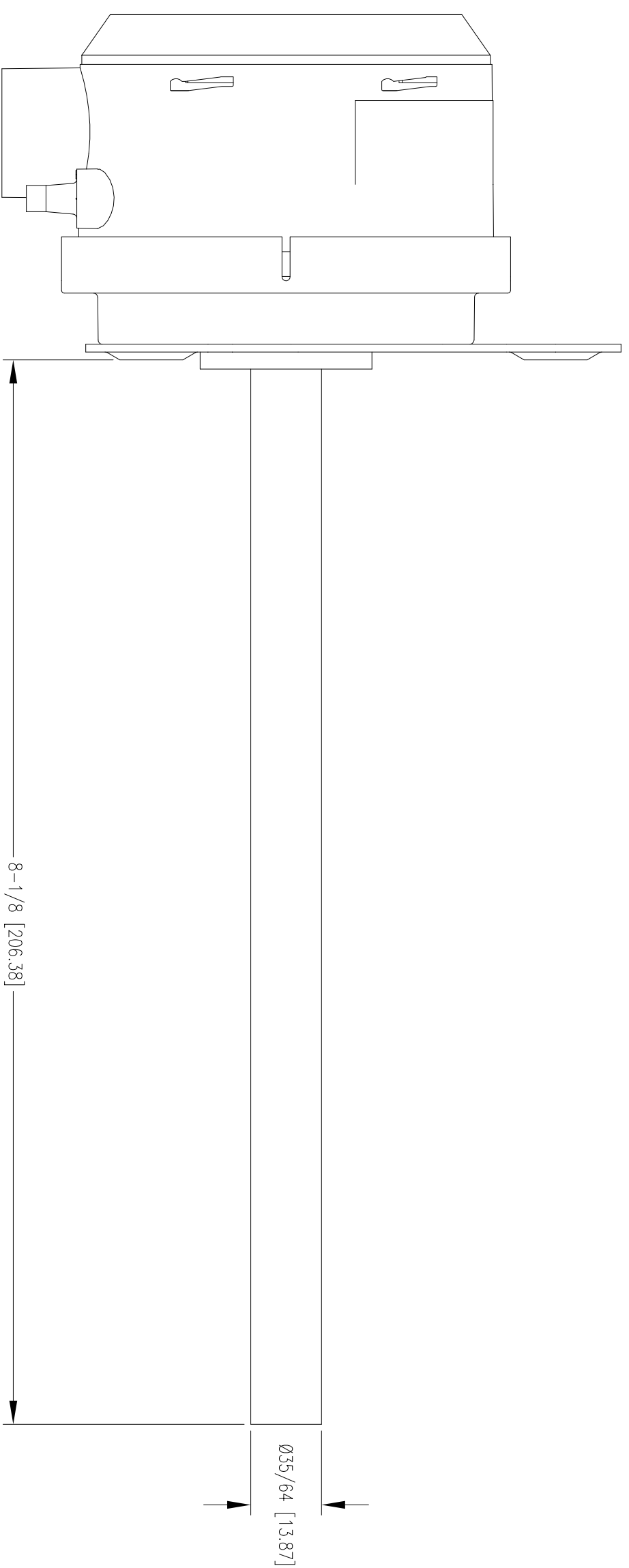


(3)  $3/16$  [4.76] HOLES  
 EQUALLY SPACED ON A  
 $4.115$  [104.52] BC



Ⓢ = CRITICAL DIMENSION  
 STANDARD TOLERANCES UNLESS NOTED:  
 ALL DECIMAL DIMENSIONS ± .005  
 ALL ANGLES ± 1°

NO.		DATE		NAME		MAGNESENSE DUCT MOUNT	MATERIAL	
				DRWN BY				FINISH
				CHKD				
				APPD				
CHANGES		BY/DATE				FR. NO.		
ACAD2002								
NOTICE: This drawing and the precipitate and elements of design embodied therein are the exclusive property of DWYER INSTRUMENTS, INC. and are made available for examination without the written consent of said corporation.							<b>DWYER INSTRUMENTS, INC.</b> MICHIGAN CITY, INDIANA 46360 U.S.A.	