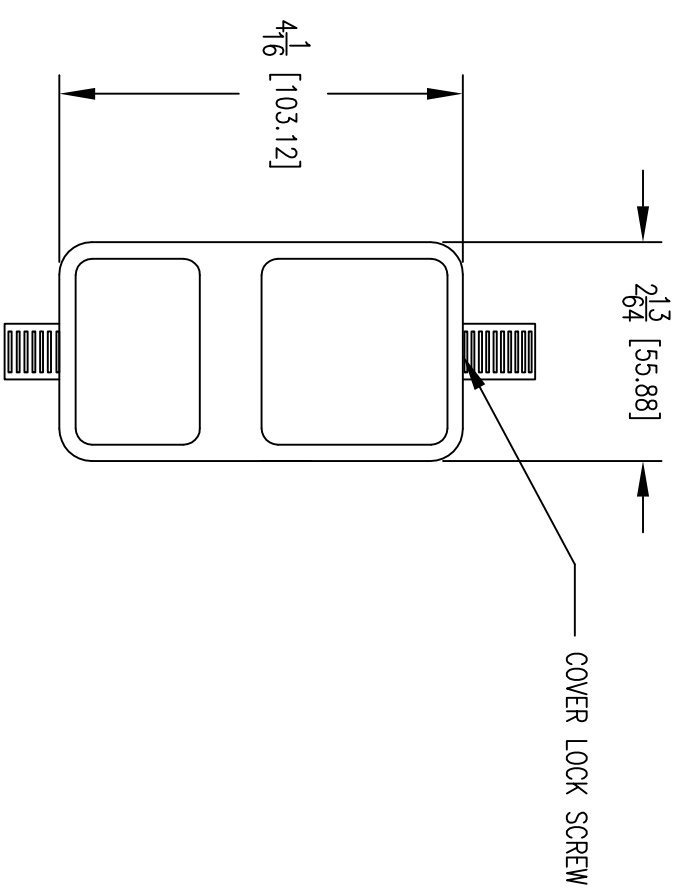
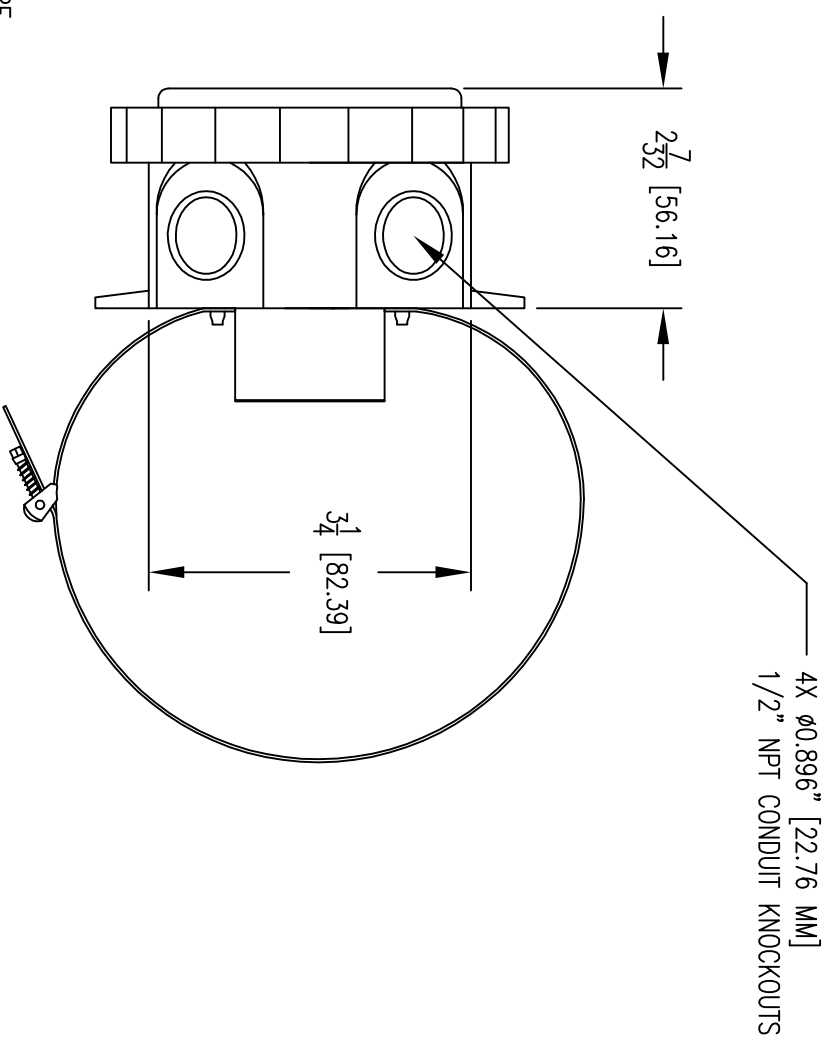
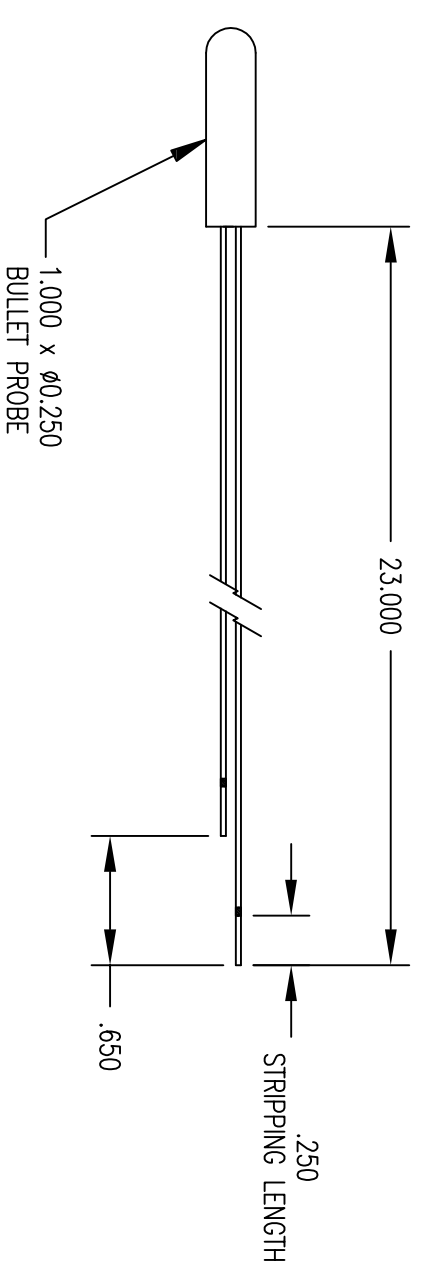
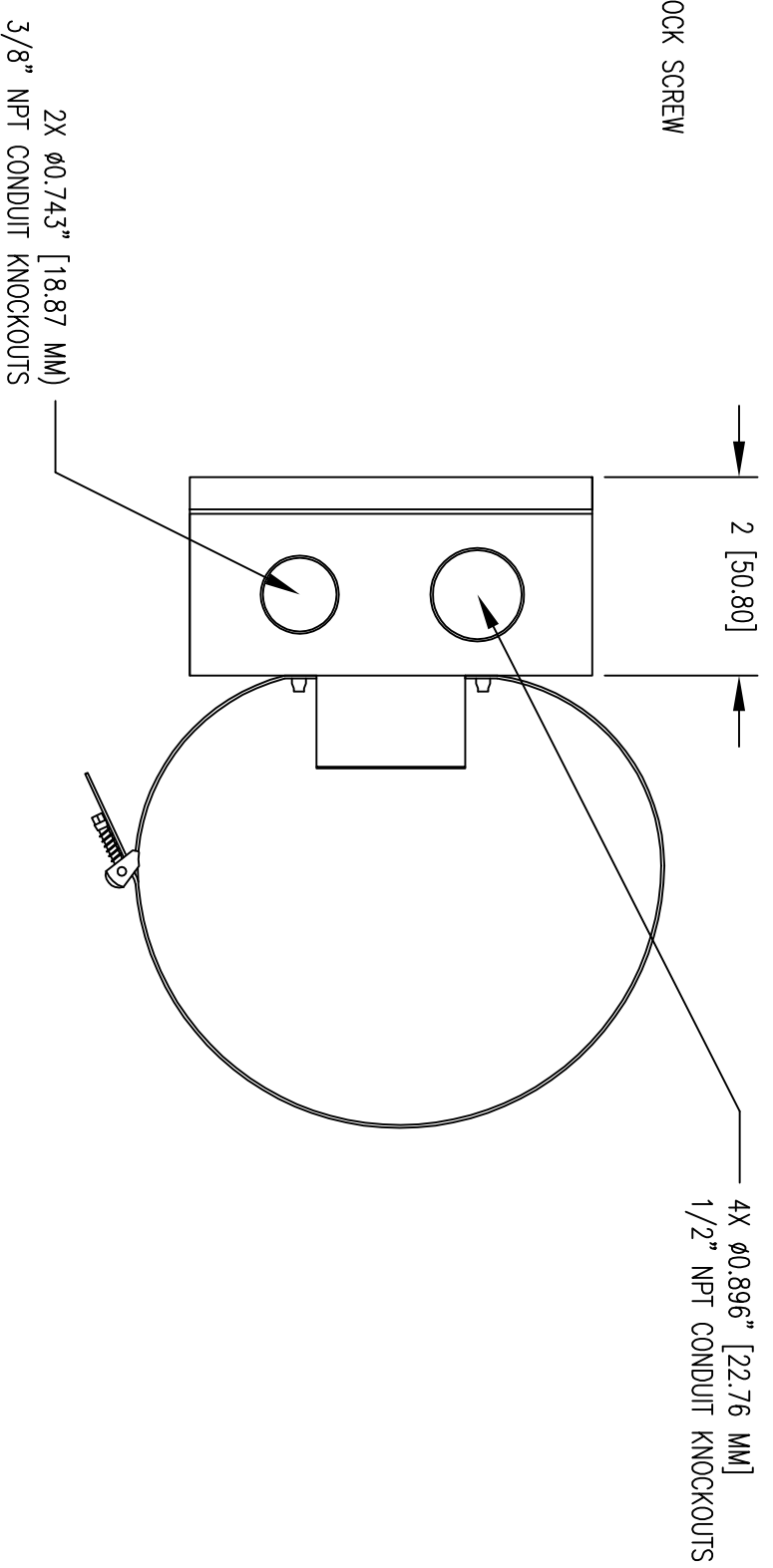


S2-4X W/NEMA ENCLOSURE



S2-2X W/GENERAL PURPOSE ENCLOSURE



S2-1X NO HOUSING

Ⓢ = CRITICAL DIMENSION
 STANDARD DIMENSIONS UNLESS NOTED:
 ALL DIMENSIONS ± .005
 ALL ANGLES ± 1°

SCALE 1:2

NO.	CHANGES	BY/DATE	DATE	NAME	MATERIAL
			OWN BY	S2 SERIES SURFACE MOUNT TEMPERATURE SENSOR	DWYER INSTRUMENTS, INC. MICHIGAN CITY, INDIANA 46360 U.S.A.
			CHKD		
		APPD			
					FR. NO.
					3

NOTICE: This drawing and the principles and elements of design embodied therein are the exclusive property of DWYER INSTRUMENTS, INC. and are not to be reproduced, stored, copied, or used in any manner without the prior written permission of DWYER INSTRUMENTS, INC. All rights reserved.