

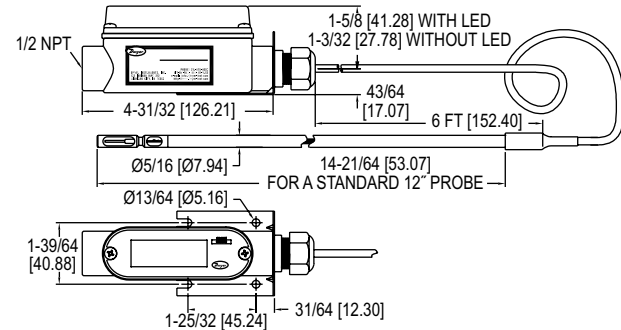
**Dwyer**

SERIES 641RM

# AIR VELOCITY TRANSMITTER WITH REMOTE PROBE

For Remotely Mounting Electronic Enclosure

CALIBRATION SERVICES AVAILABLE



The **Series 641RM Air Velocity Transmitter with Remote Probe** features the same highly accurate heated mass flow sensor as the Series 641, with a remote probe construction. The units 6' cable which connects the sensing probe with the electronic enclosure allows the enclosure to be mounted where it can be more easily accessed.

## BENEFITS/FEATURES

- Output signal conditioning with digital filtering
- Install in tight spaces with compact design
- Easy setup with on-board buttons

## APPLICATIONS

- Exhaust stack flow monitoring
- Air control in drying processes
- HVAC air velocity measurements
- Fan supply and exhaust tracking
- Clean room ventilation monitoring

MODEL CHART	
Model	Description
641RM-12	Air velocity transmitter with 6' cable
641RM-12-LED	Air velocity transmitter with 6' cable with LED display

OPTIONS	
To order add suffix:	Description
-NIST	NIST traceable calibration certificate
<b>Example:</b> 641RM-12-NIST	

## SPECIFICATIONS

**Service:** Clean air and compatible, non-combustible gases.

**Accuracy:** 3% FS process gas: 32 to 122°F (0 to 50°C); 4% FS process gas: -40 to 32°F and 122 to 212°F (-40 to 0°C and 50 to 100°C).

**Range:** 250 FPM (1.25 MPS) to 15,000 FPM (75 MPS).

**Response Time:** Flow: 1.5 s to 95% of final value (output filter set to minimum).

**Temperature Limits:** Process: -40 to 212°F (-40 to 100°C); Ambient: 32 to 140°F (0 to 60°C).

**Pressure Limit:** 100 psi (6.89 bar) maximum.

**Humidity Limit:** Non-condensing.

**Power Requirements:** 12-35 VDC, 10-16 VAC. 1.5 A rating required on supply due to initial power surge drawn by transmitter.

**Output Signal:** 4-20 mA, isolated 24 V source, 3 or 4-wire connection.

**Output Filter:** Selectable 0.5–15 (seconds).

**Loop Resistance:** 600 Ω max.

**Current Consumption:** 300 mA max.

**Electrical Connections:** Screw terminal.  
**Mounting Orientation:** Unit not position sensitive. Probe must be aligned with airflow.

**Weight:** 13.2 oz (374.26 g).

**Cable Length:** 6' (1.82 m).

**Probe Length:** 12" (30.48 cm) standard.

**Probe Diameter:** 5/16" (0.79 cm).

## OPTIONAL DISPLAY VERSION:

**Display:** 4-1/2 digit 1/2" red LED.  
**Resolution:** 1 FPM, 0.01 MPS (10 FPM @ 10,000 and 15,000 FPM ranges).  
**Weight:** 13.9 oz (394.16 g).

## ACCESSORIES

Model	Description
641-LED	Field-upgradeable LED
A-156	Universal mounting plate, 1/2" female NPT
A-158	Split flange mounting kit
A-159	Duct mounting gland