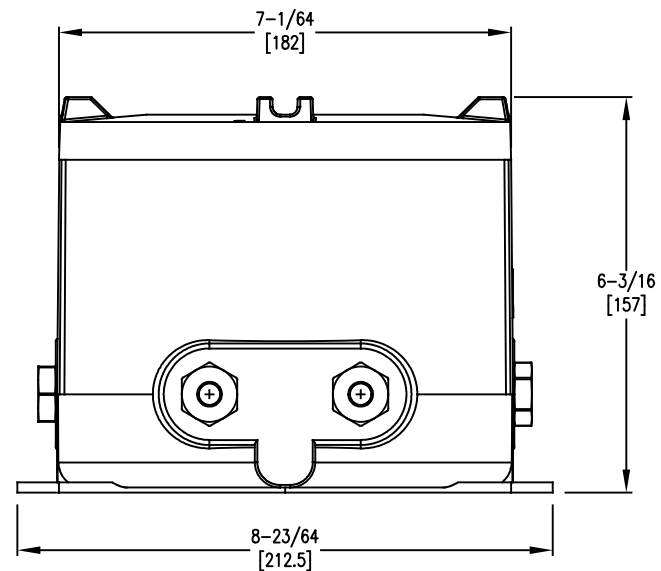
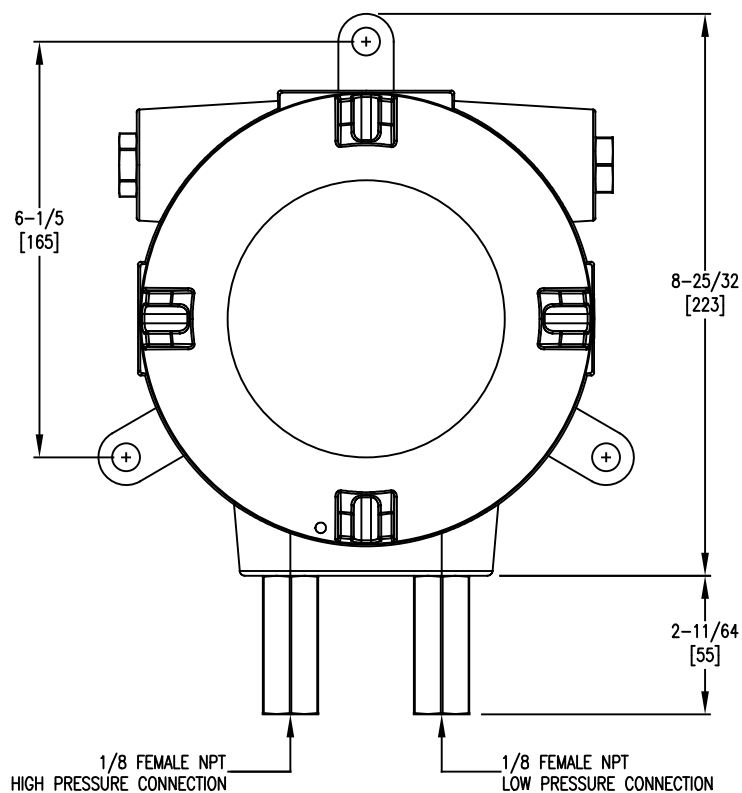
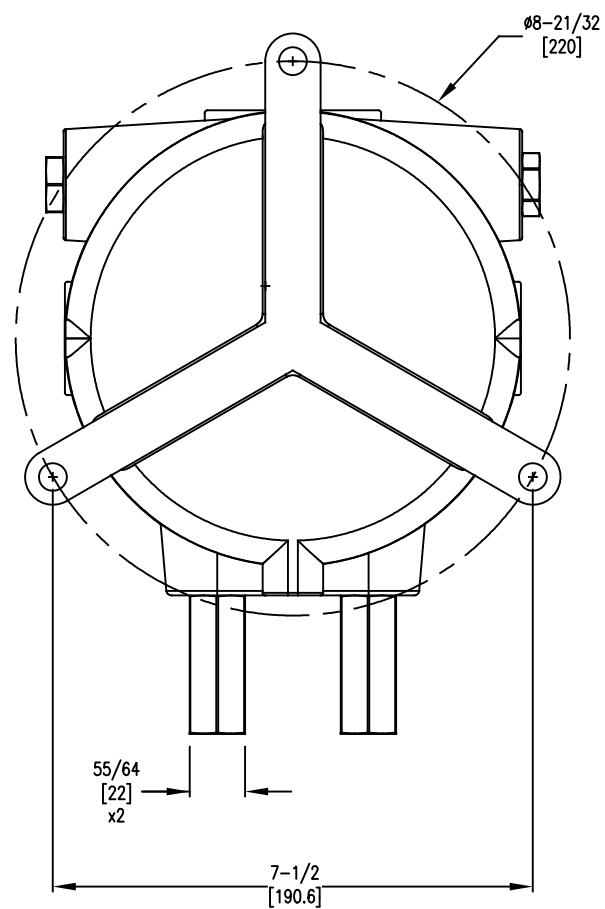


AT-102NA-MSX (VSO / DTC006)



AT-102NA-MSX (VSO / DTC006 / BACKSIDE VIEW)



Ⓢ = CRITICAL DIMENSION
 STANDARD TOLERANCES UNLESS NOTED:
 ALL DECIMAL DIMENSIONS ± .005
 ALL ANGLES ± 1°

SCALE 1:3

| | | | | |
|-----|---------|------------------|---|---|
| | | DATE 03-14-22 | NAME | MATERIAL |
| | | DWN BY KAS | ARTWORK, SERIES MSX WITH ATEX/IECEX CERTIFIED ALUMINUM ENCLOSURE STD PRESSURE PORT NO VENTING VALVE (FOR REFERENCE ONLY) | FINISH |
| | | CHKD | | DWYER INSTRUMENTS, LLC. MICHIGAN CITY, INDIANA 46360 U.S.A. |
| | | APPD | | |
| NO. | CHANGES | BY/DATE | | |

NOTICE: This drawing and the principles and elements of design embodied therein are the exclusive property of DWYER INSTRUMENTS and are not to be communicated, disclosed, reproduced or used except as previously authorized in writing by such company and must not be submitted to outside parties for examination without the written consent of said company.