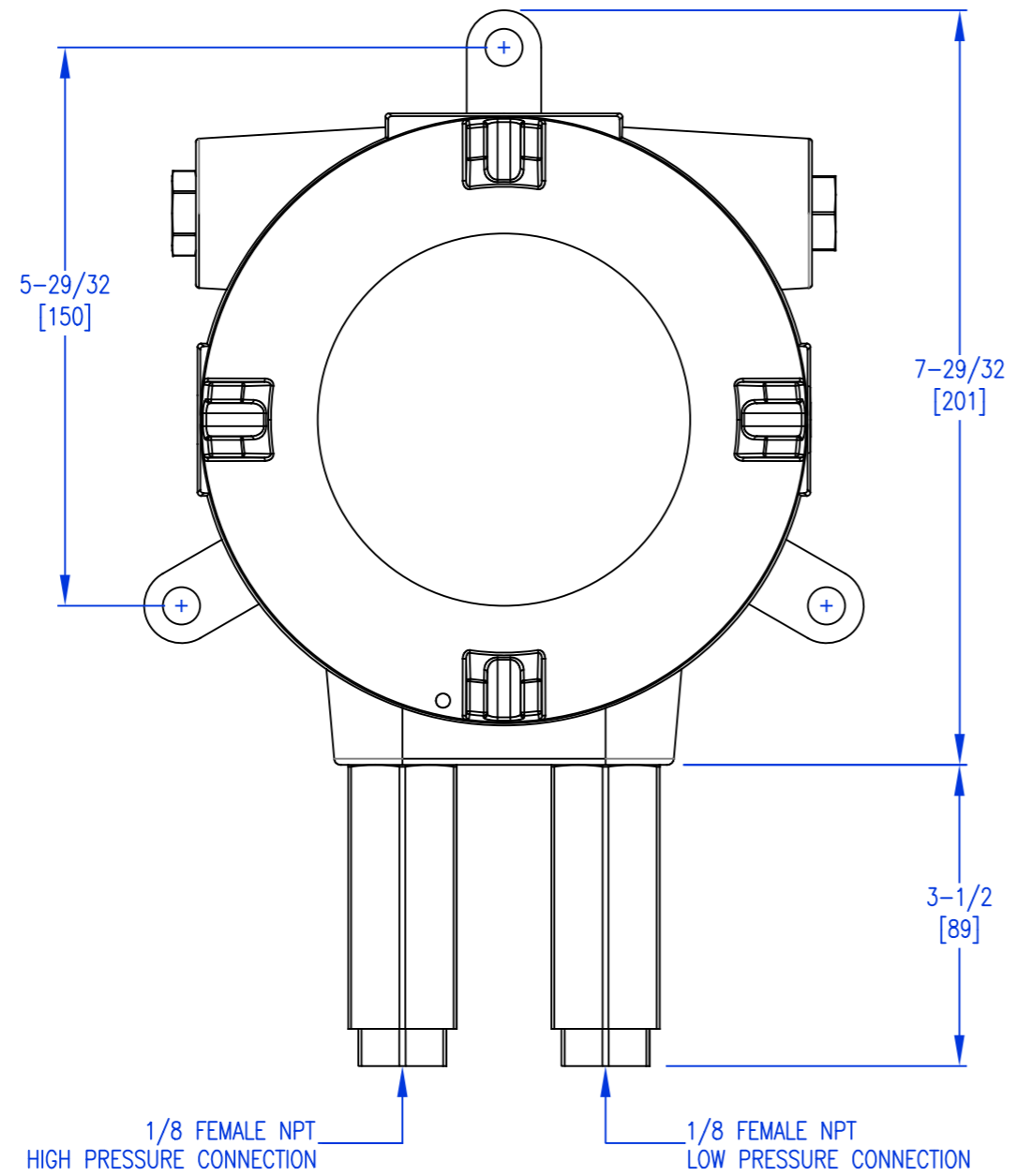
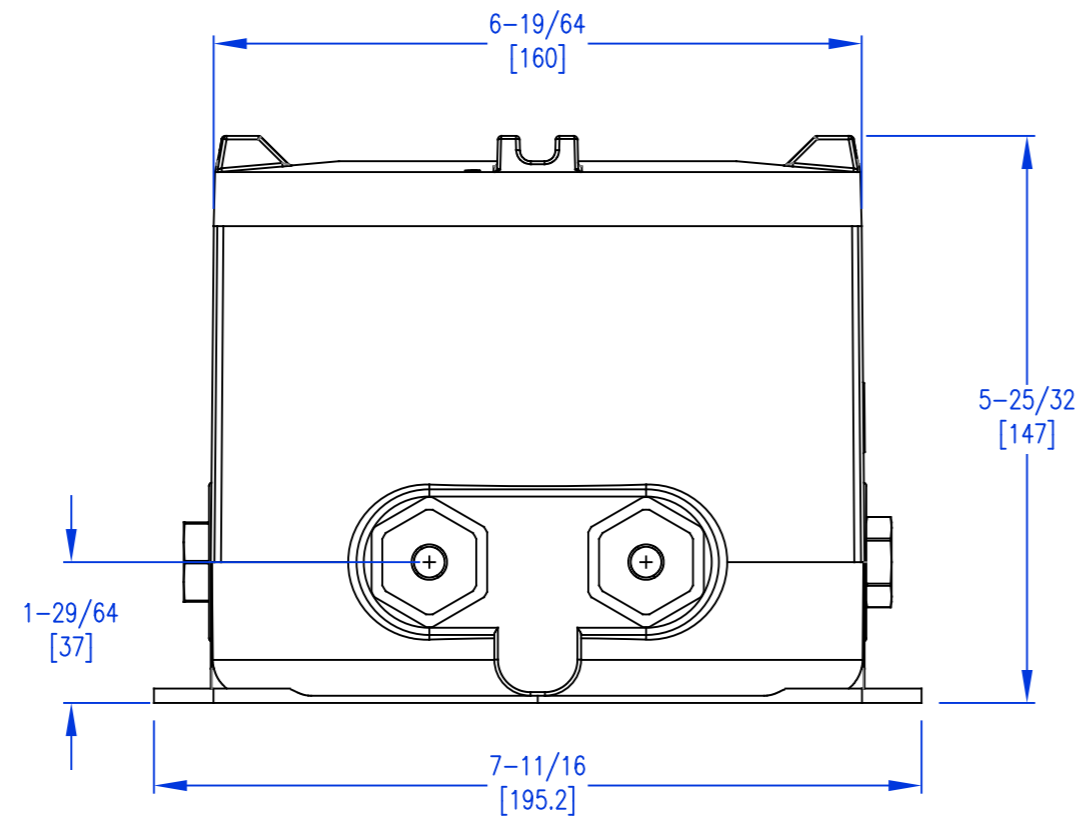
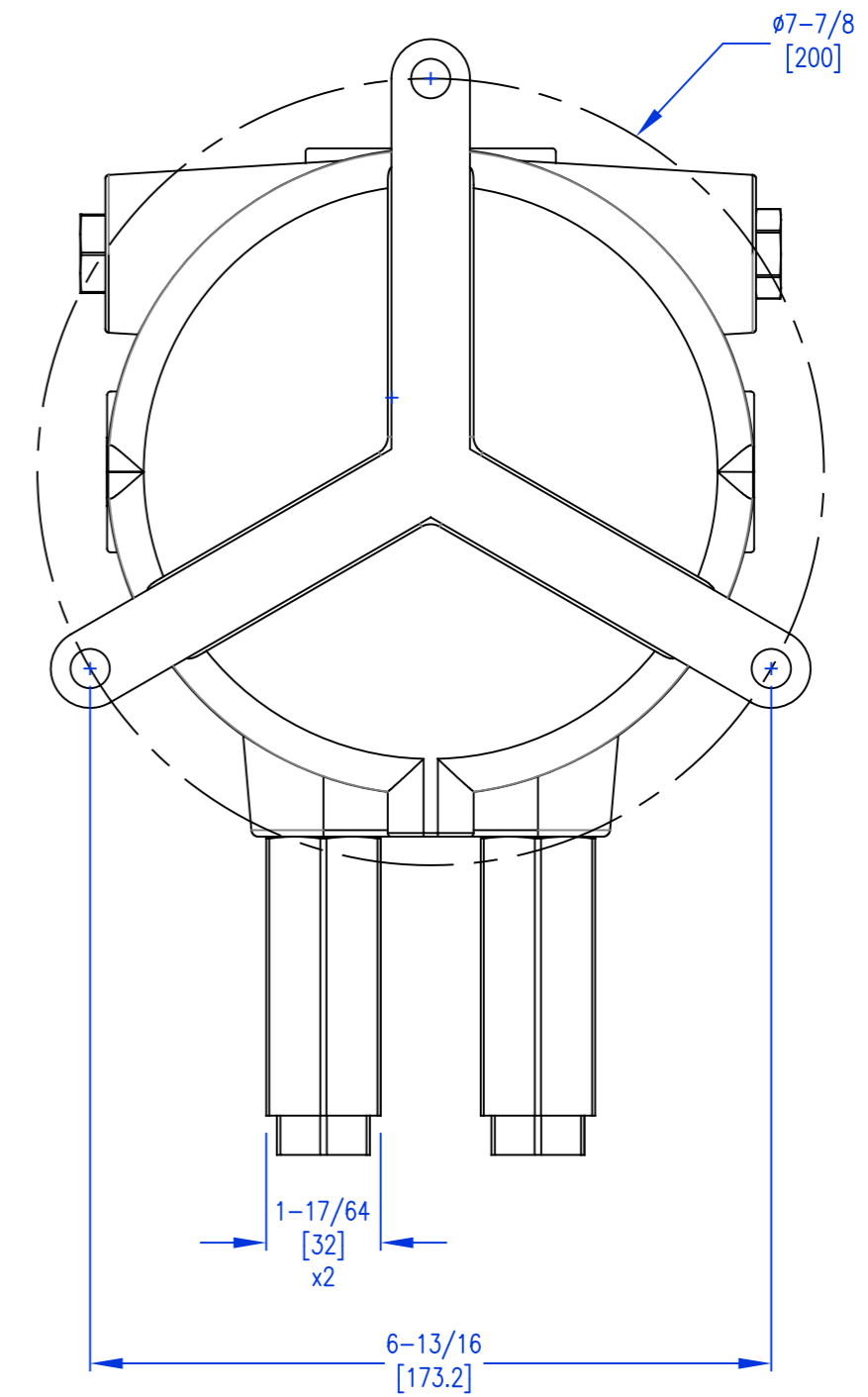


8 7 6 5 4 3 2 1

AT-101NA-DHC (VLO / DTC003)



AT-101NA-DHC (VLO / DTC003 / BACKSIDE VIEW)



		DATE 11/08/22	NAME ARTWORK AT-101NA-DHC VLO		<b>Dwyer INSTRUMENTS, LLC.</b> MICHIGAN CITY, INDIANA 46360 U.S.A.	
		DWN BY CAT	(FOR REF. ONLY)			
		CHKD KAS	CD = CRITICAL DIMENSION SCALE 3:1 SHEET 1 OF 1	FINISH		
NO. CHANGES		BY/DATE	APPD FE	TOLERANCES DECIMAL ± .005 ANGLE ± 1° INCHES [mm]	THIRD ANGLE 	PART NO. 701495-10

PROPRIETARY NOTICE: This drawing and the principles and elements of design embodied therein are the exclusive property of DWYER INSTRUMENTS and are not to be communicated, disclosed, reproduced or used except as previously authorized in writing by such company and must not be submitted to outside parties for examination without the written consent of said company.

8 7 6 5 4 3 2 1