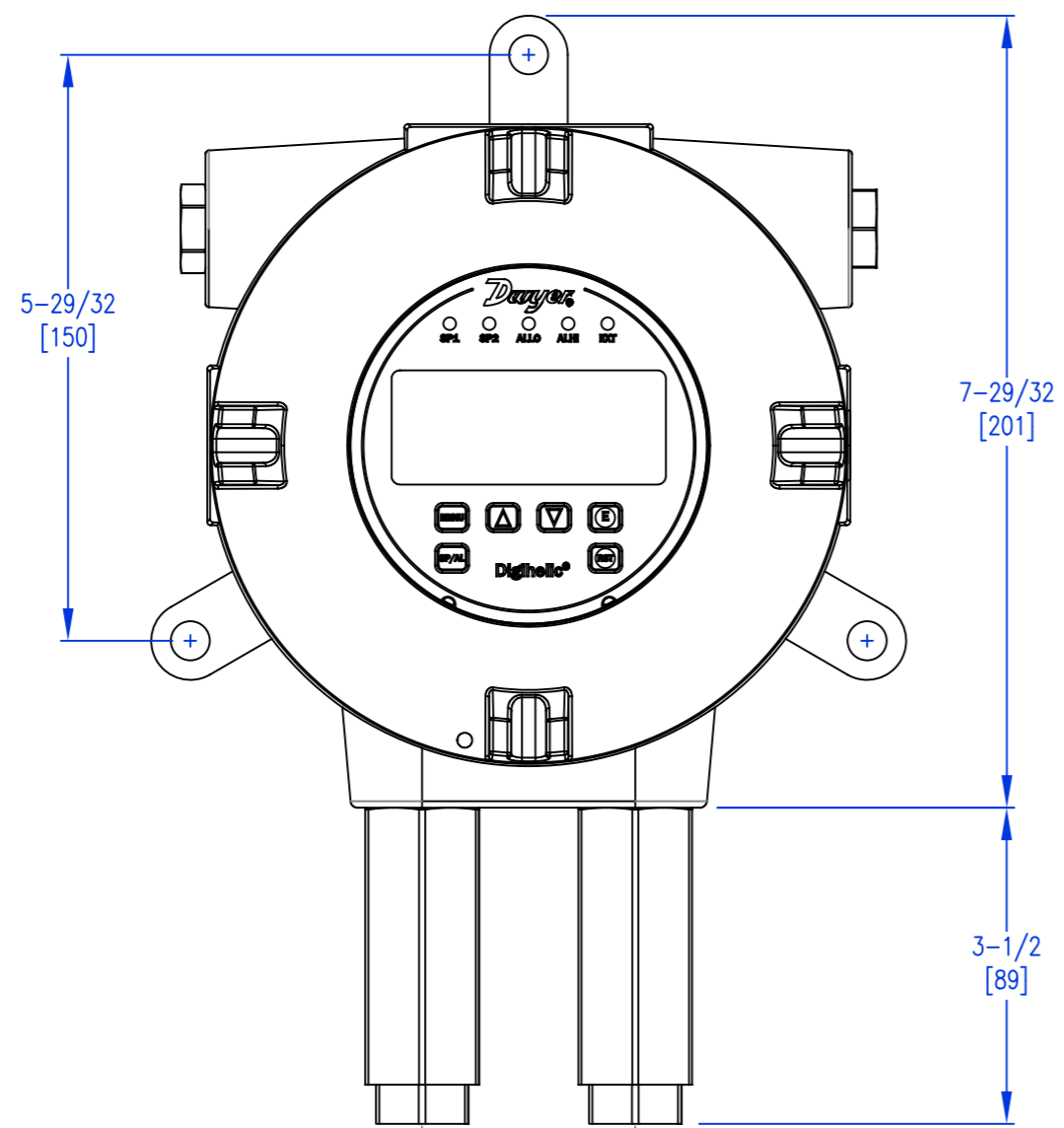
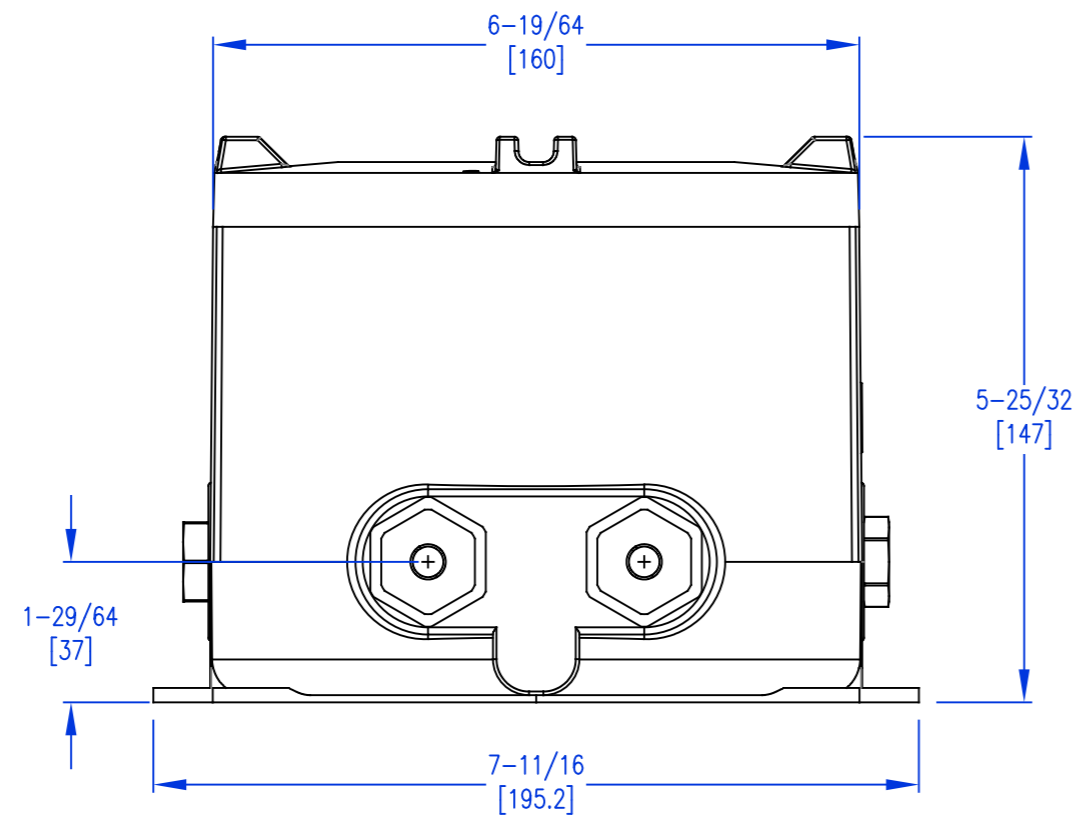


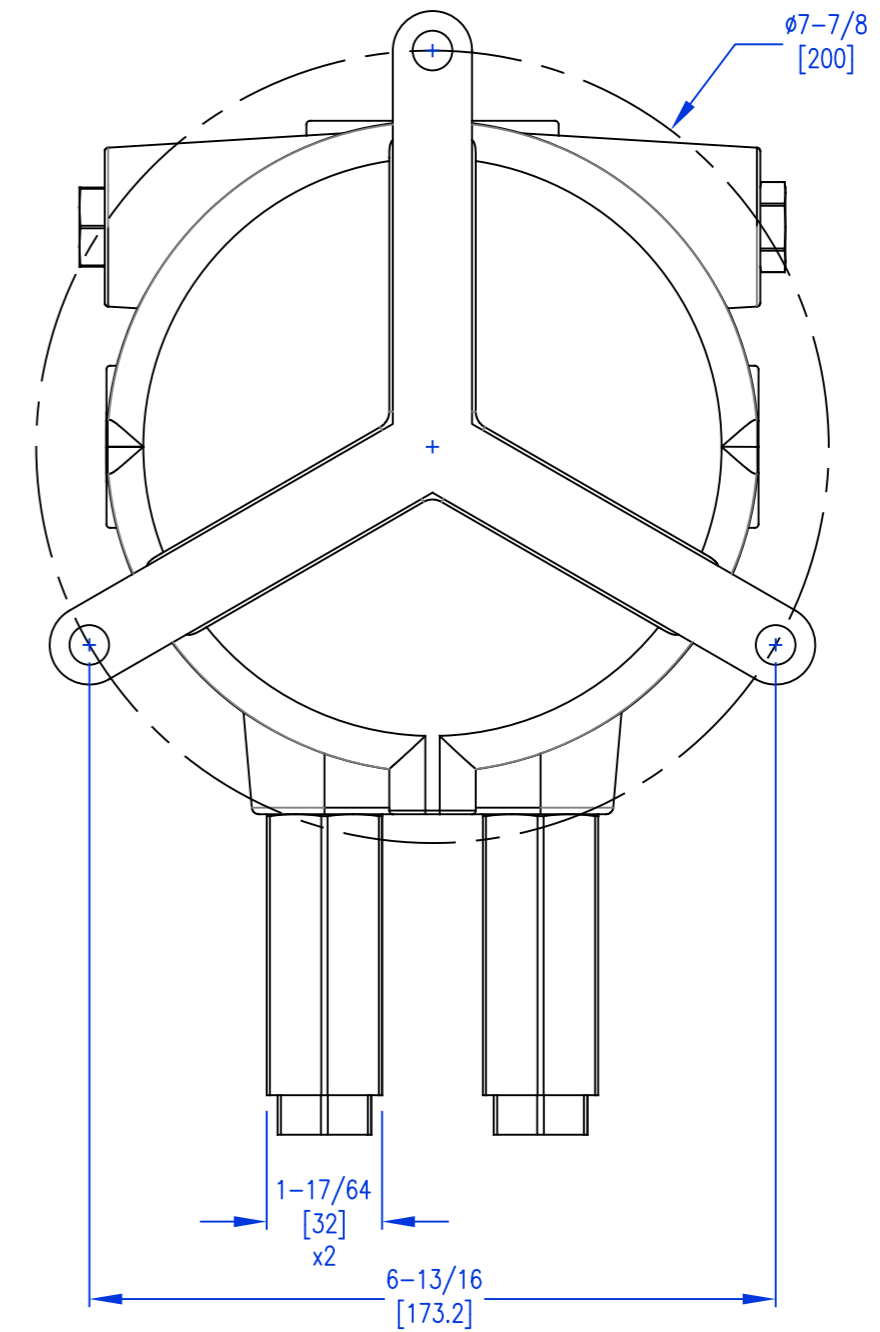
8 | 7 | 6 | 5 | 4 | 3 | 2 | 1

AT-101NA-DHC (VLO / W / DTC003)



1/8 FEMALE NPT HIGH PRESSURE CONNECTION  
1/8 FEMALE NPT LOW PRESSURE CONNECTION

AT-101NA-DHC (VLO / W / DTC003 / BACKSIDE VIEW)



		DATE	11/08/22	NAME	ARTWORK
		DWN BY	CAT		AT-101NA-DHC VLO
		CHKD	KAS		WINDOW
		APPD	FE		(FOR REF. ONLY)
NO.	CHANGES	BY/DATE		CD = CRITICAL DIMENSION	SCALE 1:3
				WEIGHT/VOLUME	TOLERANCES DECIMAL ± .005
					ANGLE ± 1°
					INCHES [mm]

		NAME	ARTWORK
			AT-101NA-DHC VLO
			WINDOW
			(FOR REF. ONLY)
		SCALE	1:3
		SHEET	1 OF 1
		THIRD ANGLE	

**Dwyer** DWYER INSTRUMENTS, LLC.  
MICHIGAN CITY, INDIANA 46360 U.S.A.

MATERIAL

FINISH

PART NO. 701495-11

PROPRIETARY NOTICE: This drawing and the principles and elements of design embodied therein are the exclusive property of DWYER INSTRUMENTS and are not to be communicated, disclosed, reproduced or used except as previously authorized in writing by such company and must not be submitted to outside parties for examination without the written consent of said company.

8 | 7 | 6 | 5 | 4 | 3 | 2 | 1