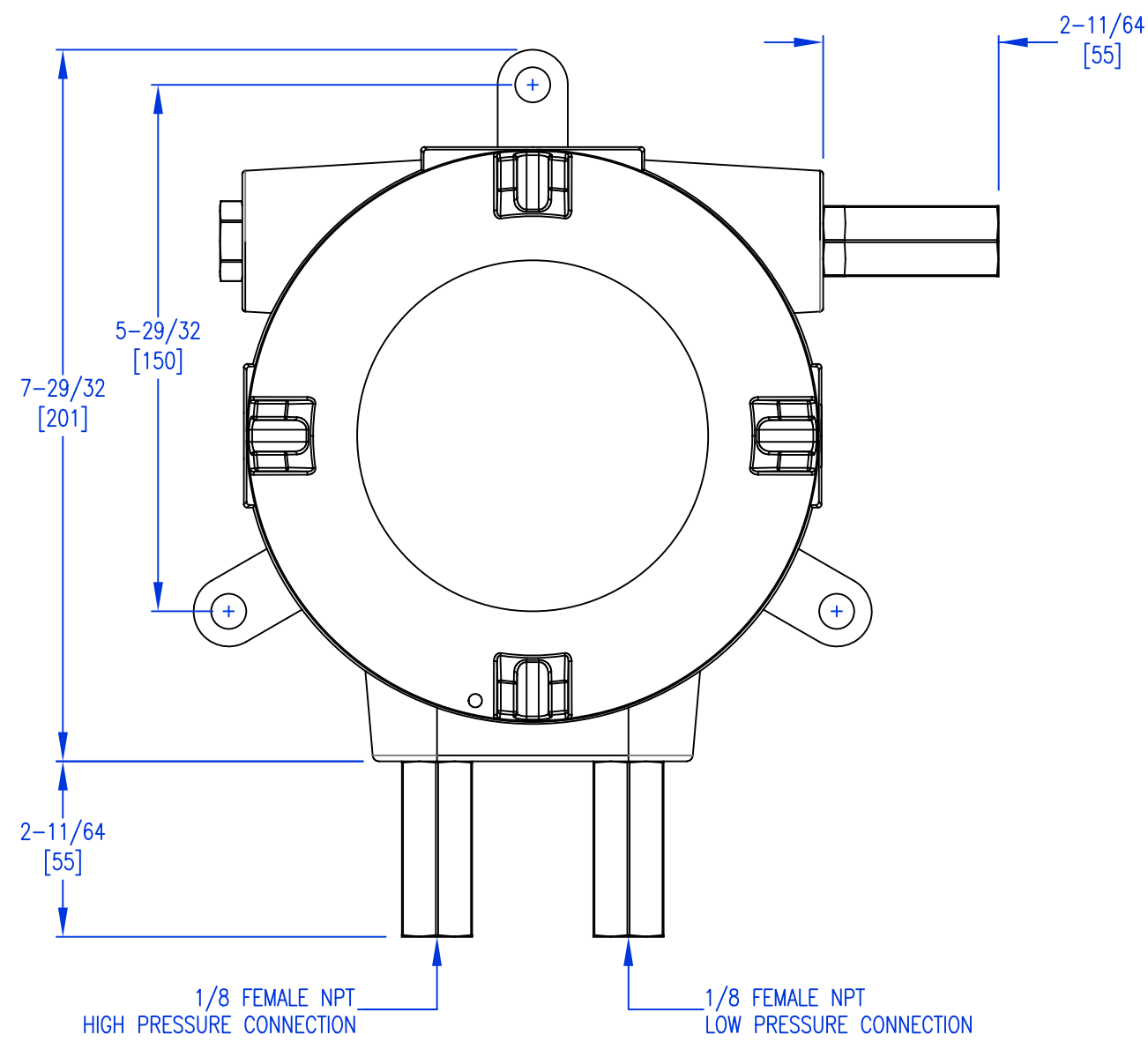
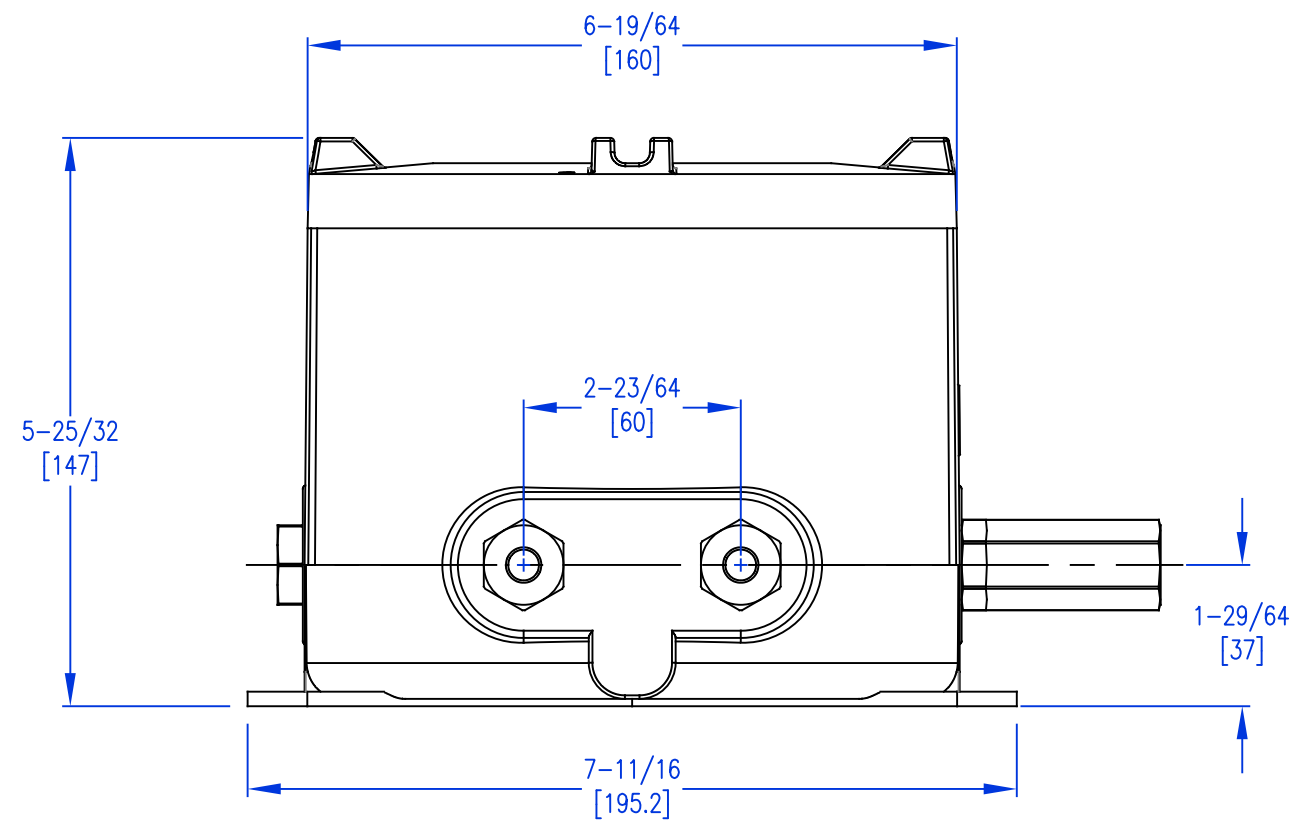
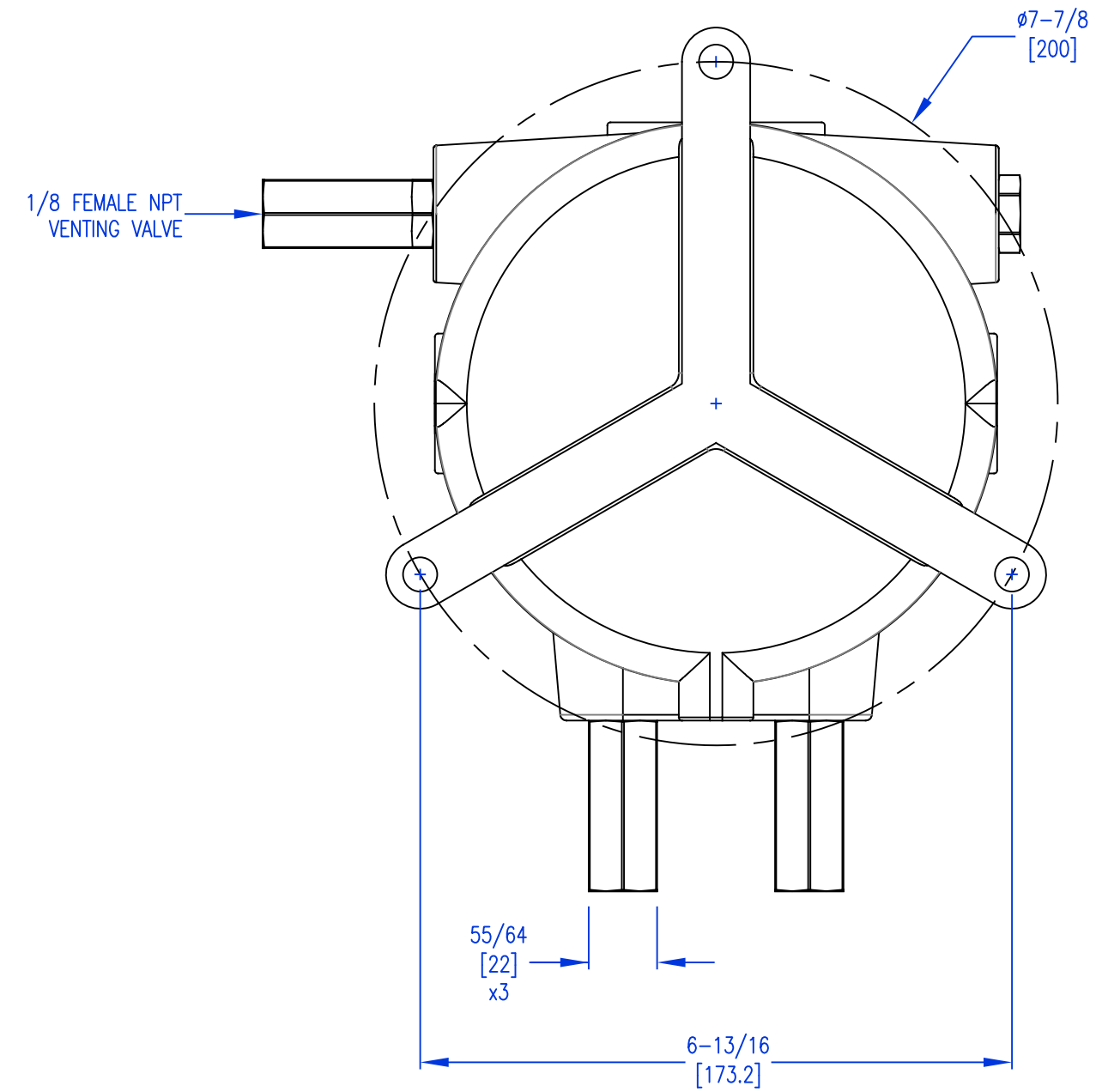


AT-101NA-DHC (VS1 / DTC014)



AT-101NA-DHC (VS1 / DTC014 / BACKSIDE VIEW)



NO.	CHANGES	BY/DATE

PROPRIETARY NOTICE: This drawing and the principles and elements of design embodied therein are the exclusive property of DWYER INSTRUMENTS and are not to be communicated, disclosed, reproduced or used except as previously authorized in writing by such company and must not be submitted to outside parties for examination without the written consent of said company.

DATE 11/8/22	NAME ARTWORK AT-101NA-DHC VS1 (FOR REF. ONLY)
DWN BY CAT	SCALE 3:1
CHKD KAS	SHEET 1 OF 1
APPD FE	TOLERANCES DECIMAL $\pm .005$ ANGLE $\pm 1^\circ$ INCHES [mm]
WEIGHT/VOLUME	THIRD ANGLE

Dwyer DWYER INSTRUMENTS, LLC.
MICHIGAN CITY, INDIANA 46360 U.S.A.

MATERIAL

FINISH

PART NO. 701495-20