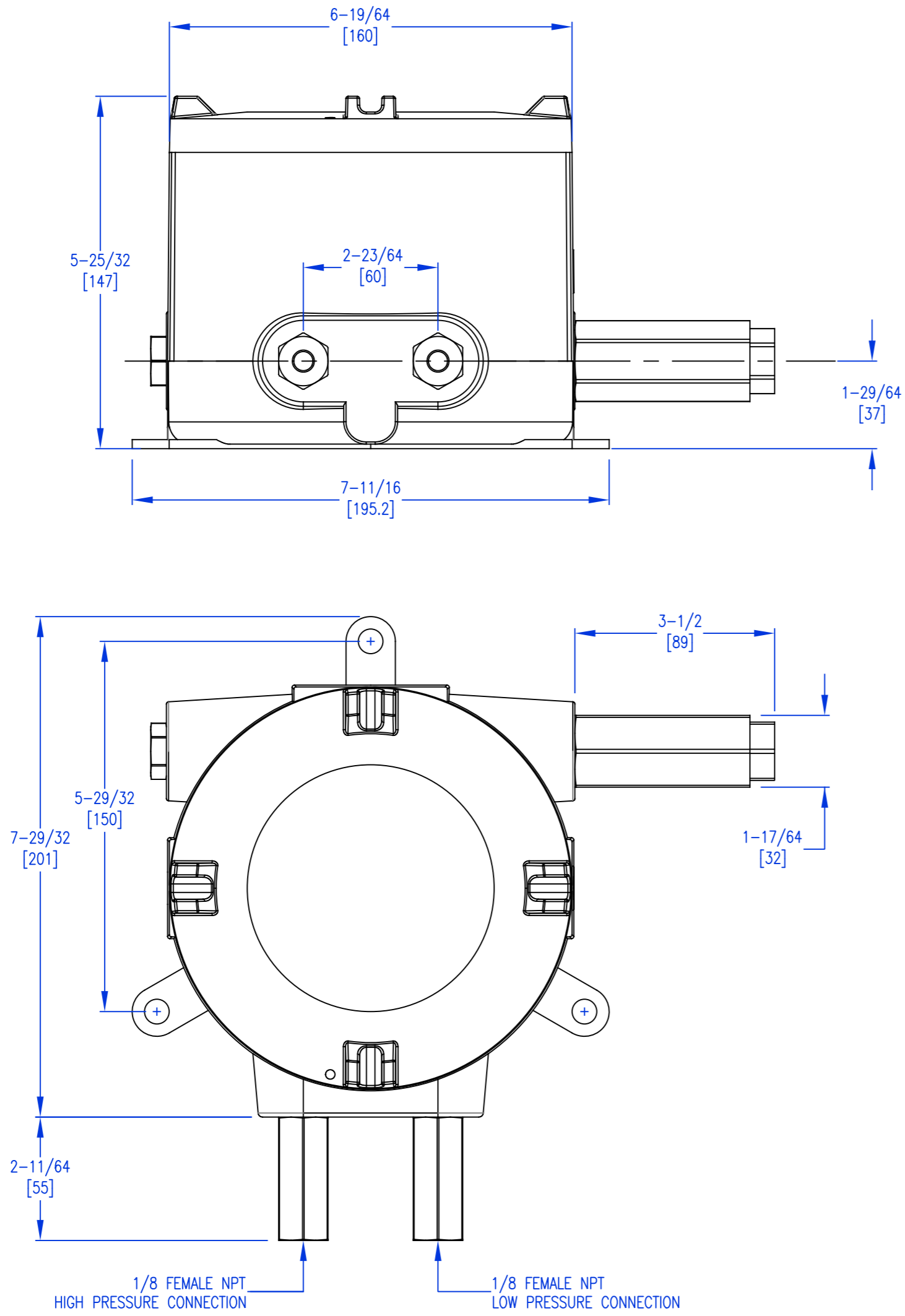
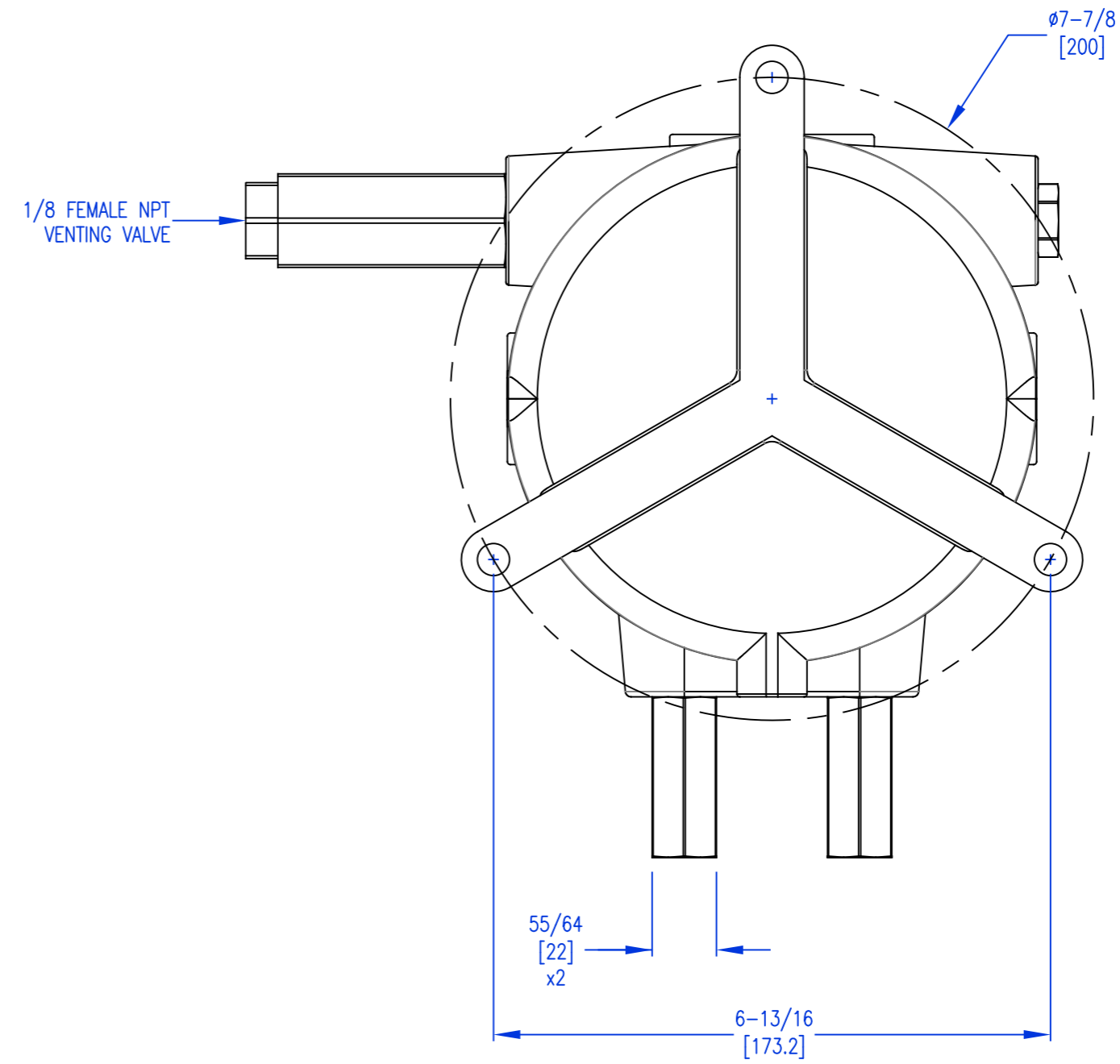


8 7 6 5 4 3 2 1

AT-101NA-DHC (VS2 / DTC015)



AT-101NA-DHC (VS2 / DTC015 / BACKSIDE VIEW)



		DATE	NAME		<b>Dwyer</b> DWYER INSTRUMENTS, LLC. MICHIGAN CITY, INDIANA 46360 U.S.A.
		11/08/22	ARTWORK AT-101NA-DHC VS2		
		DWN BY	(FOR REF. ONLY)		MATERIAL
		CAT			FINISH
		CHKD	CD = CRITICAL DIMENSION	SCALE 3:1	SHEET 1 OF 1
		KAS	WEIGHT/VOLUME	TOLERANCES DECIMAL ± .005 ANGLE ± 1° INCHES [mm]	THIRD ANGLE
		APPD			PART NO. 701495-30
		FE			
NO.	CHANGES	BY/DATE	<p><small>PROPRIETARY NOTICE: This drawing and the principles and elements of design embodied therein are the exclusive property of DWYER INSTRUMENTS and are not to be communicated, disclosed, reproduced or used except as previously authorized in writing by such company and must not be submitted to outside parties for examination without the written consent of said company.</small></p>		

8 7 6 5 4 3 2 1