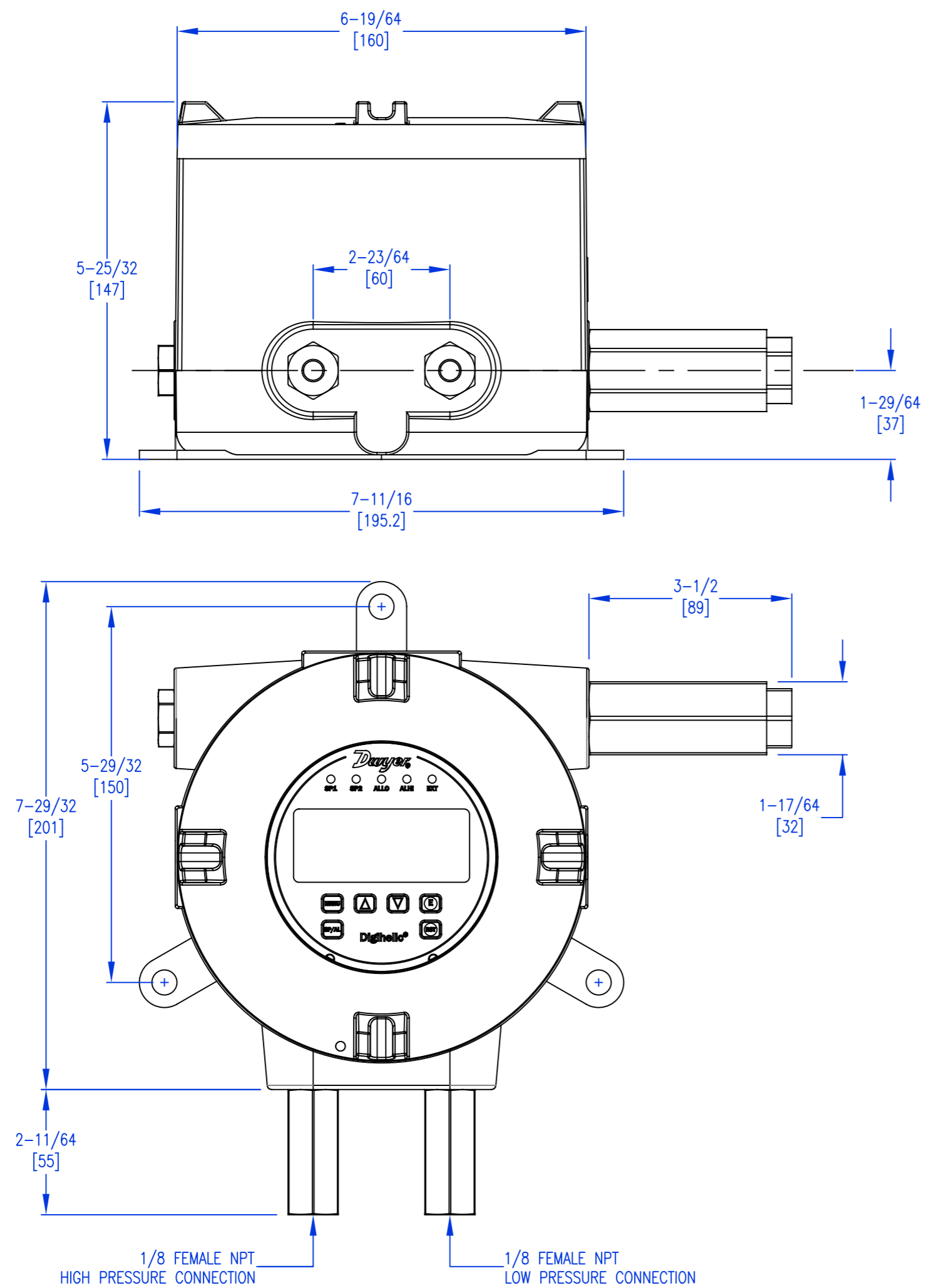
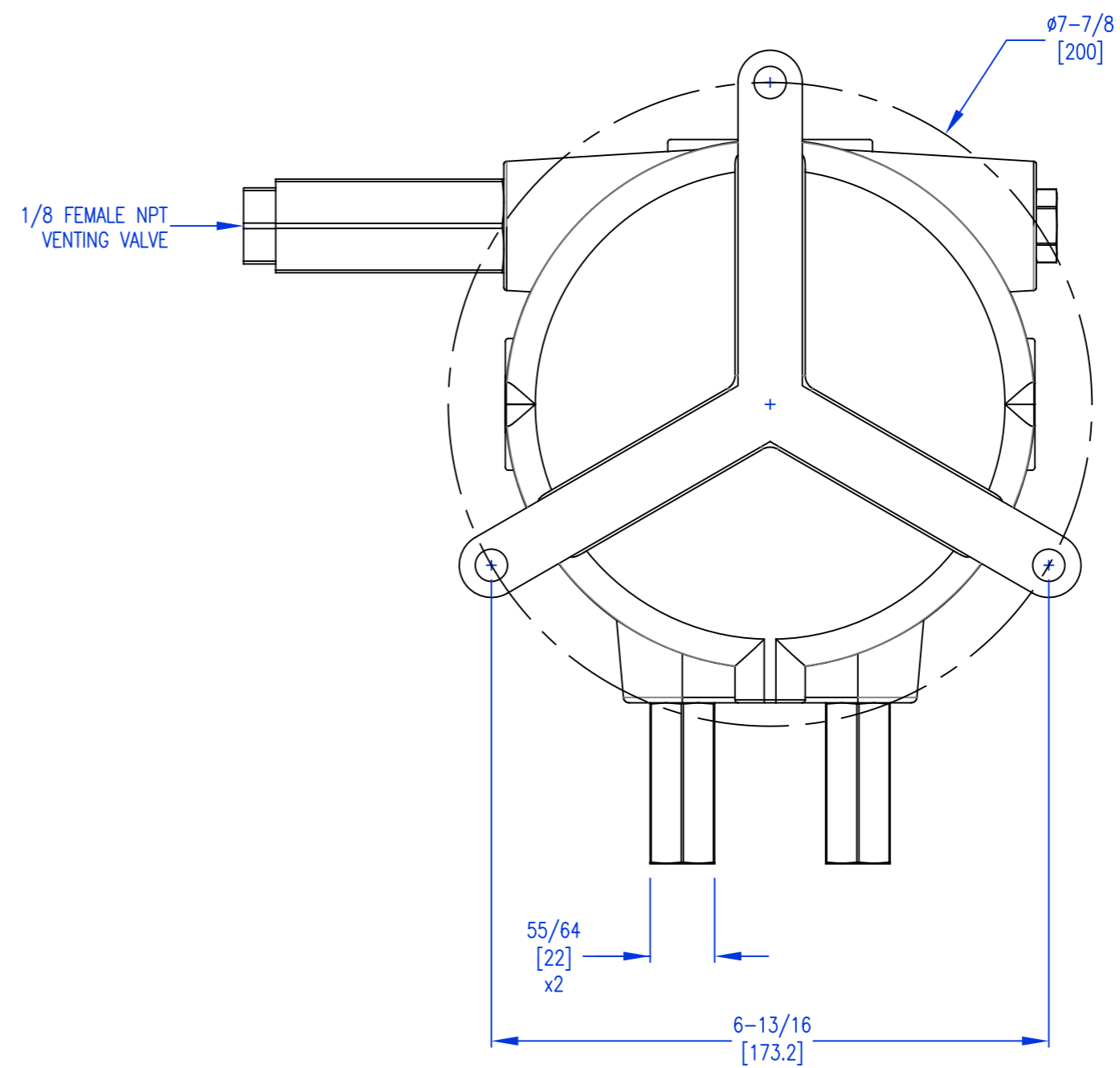


AT-101NA-DHC (VS2 / DTC015 / W)



AT-101NA-DHC (VS2 / DTC015 / W / BACKSIDE VIEW)



		DATE	11/08/22	NAME	ARTWORK
		DWN BY	CAT		AT-101NA-DHC VS2
		CHKD	KAS		WINDOW
		APPD	FE		(FOR REFER. ONLY)
NO.	CHANGES	BY/DATE		CD = CRITICAL DIMENSION	SCALE 3:1
				WEIGHT/VOLUME	SHEET 1 OF 1
					TOLERANCES DECIMAL ± .005
					ANGLE ± 1°
					INCHES [mm]

PROPRIETARY NOTICE: This drawing and the principles and elements of design embodied therein are the exclusive property of DWYER INSTRUMENTS and are not to be communicated, disclosed, reproduced or used except as previously authorized in writing by such company and must not be submitted to outside parties for examination without the written consent of said company.

Dwyer DWYER INSTRUMENTS, LLC.
MICHIGAN CITY, INDIANA 46360 U.S.A.

MATERIAL

FINISH

PART NO. 701495-31