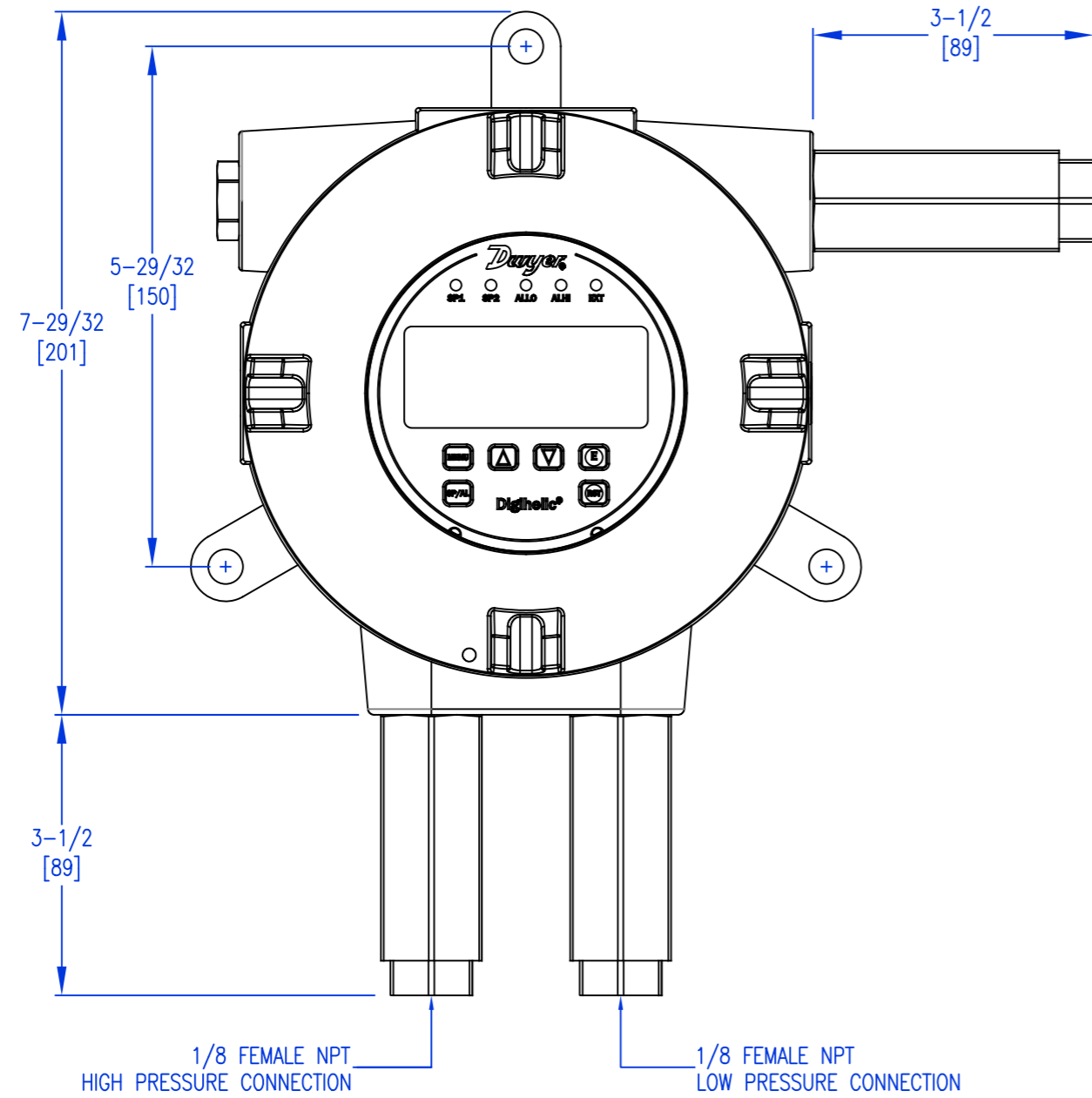
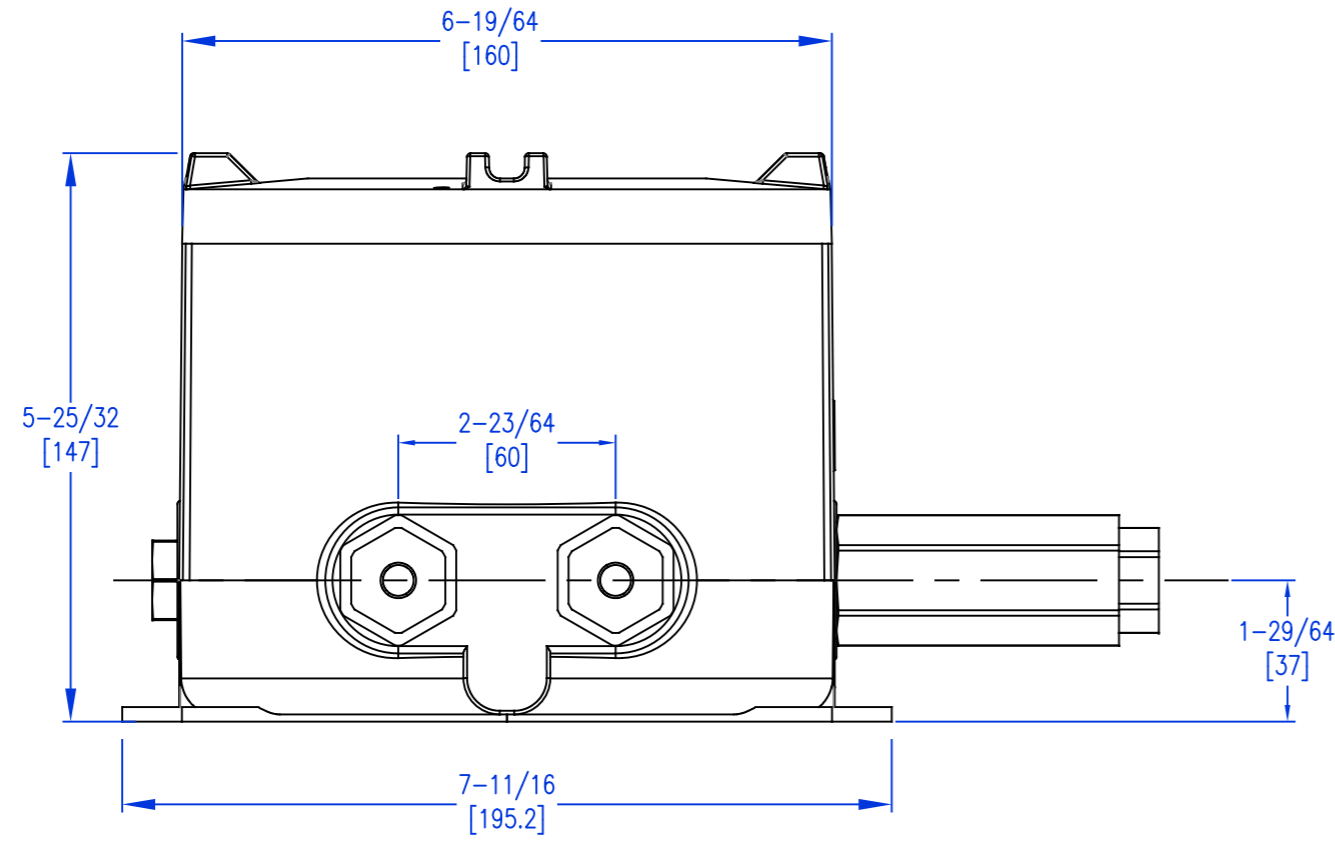
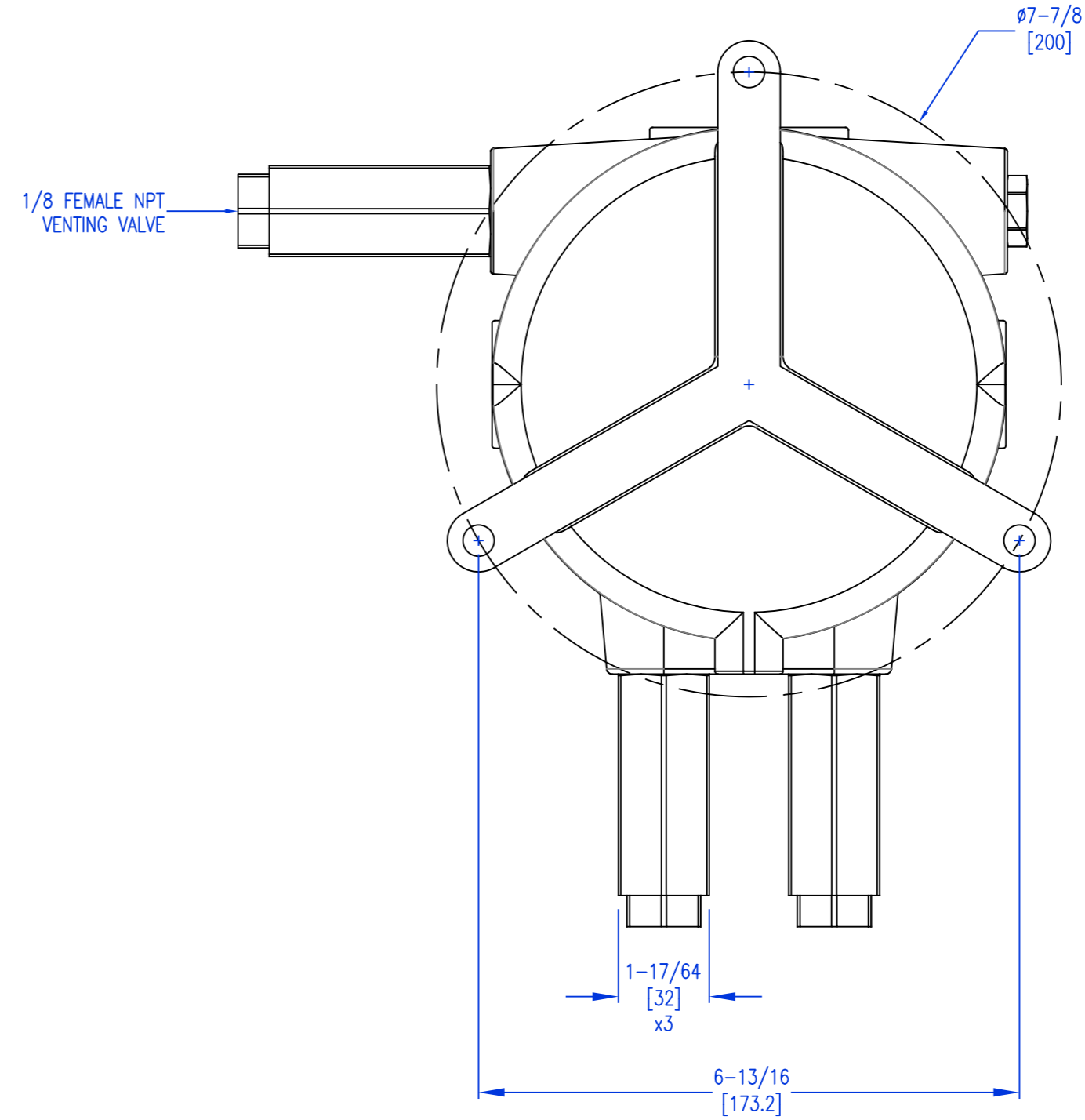


AT-101NA-DHC (VL1 / W / DTC013)



AT-101NA-DHC (VL1 / W / DTC013 / BACKSIDE VIEW)



NO.	CHANGES	BY/DATE

DATE	11/08/22	NAME	ARTWORK
DWN BY	CAT		AT-101NA-DHC VL1
CHKD	KAS		WINDOW
APPD	FE		(FOR REFER. ONLY)
CD = CRITICAL DIMENSION	SCALE 3:1	SHEET 1 OF 1	
WEIGHT/VOLUME	TOLERANCES DECIMAL ± .005 ANGLE ± 1° INCHES [mm]	THIRD ANGLE	

Dwyer DWYER INSTRUMENTS, LLC.
MICHIGAN CITY, INDIANA 46360 U.S.A.

MATERIAL

FINISH

PART NO. 701495-41

PROPRIETARY NOTICE: This drawing and the principles and elements of design embodied therein are the exclusive property of DWYER INSTRUMENTS and are not to be communicated, disclosed, reproduced or used except as previously authorized in writing by such company and must not be submitted to outside parties for examination without the written consent of said company.