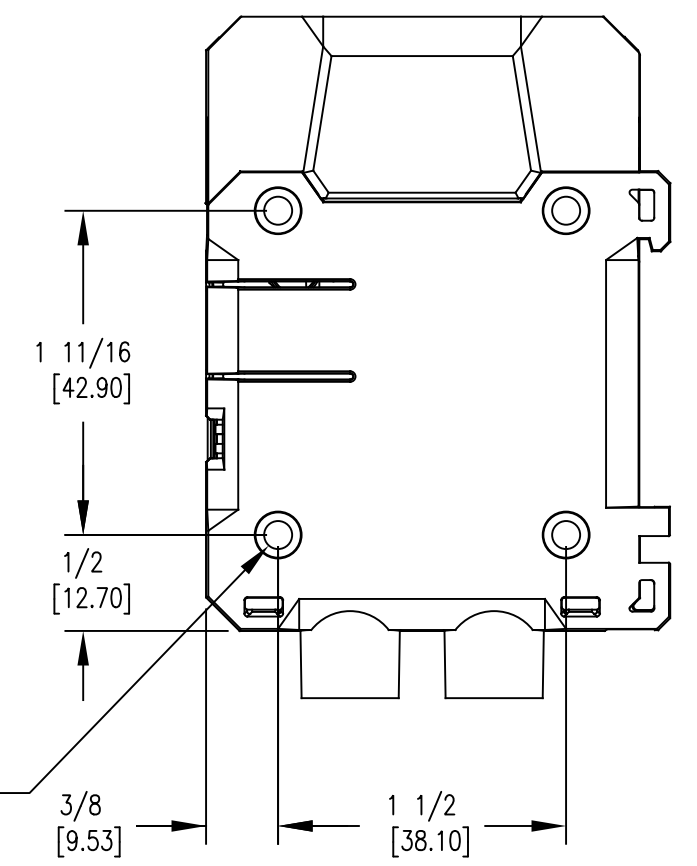
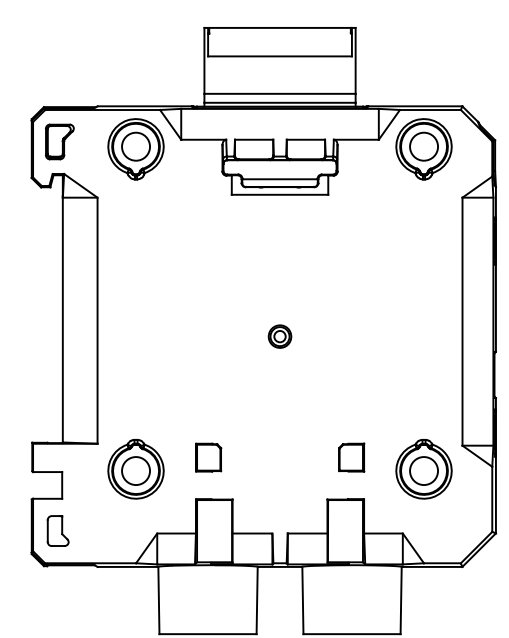
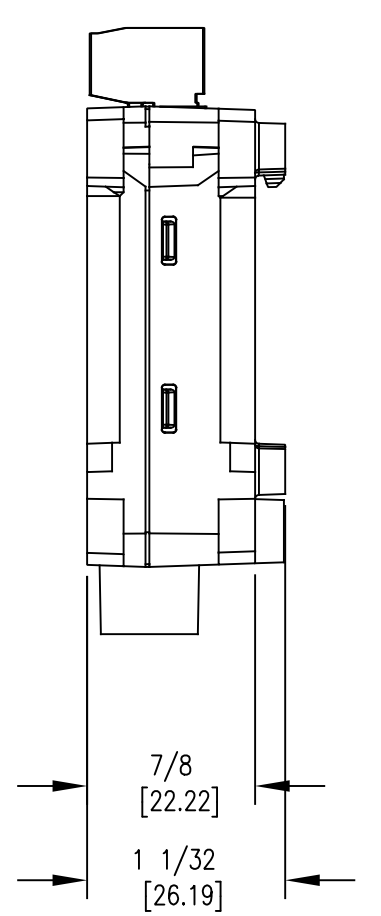
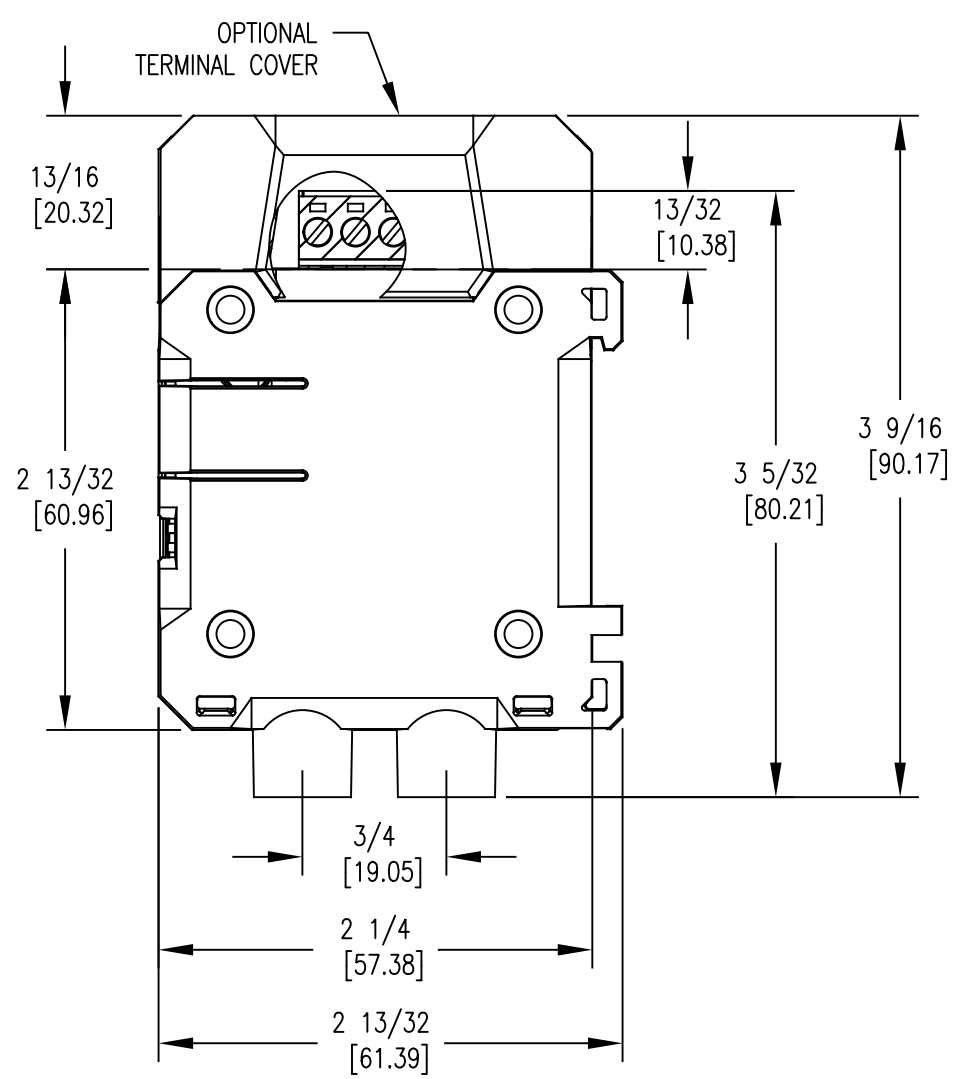
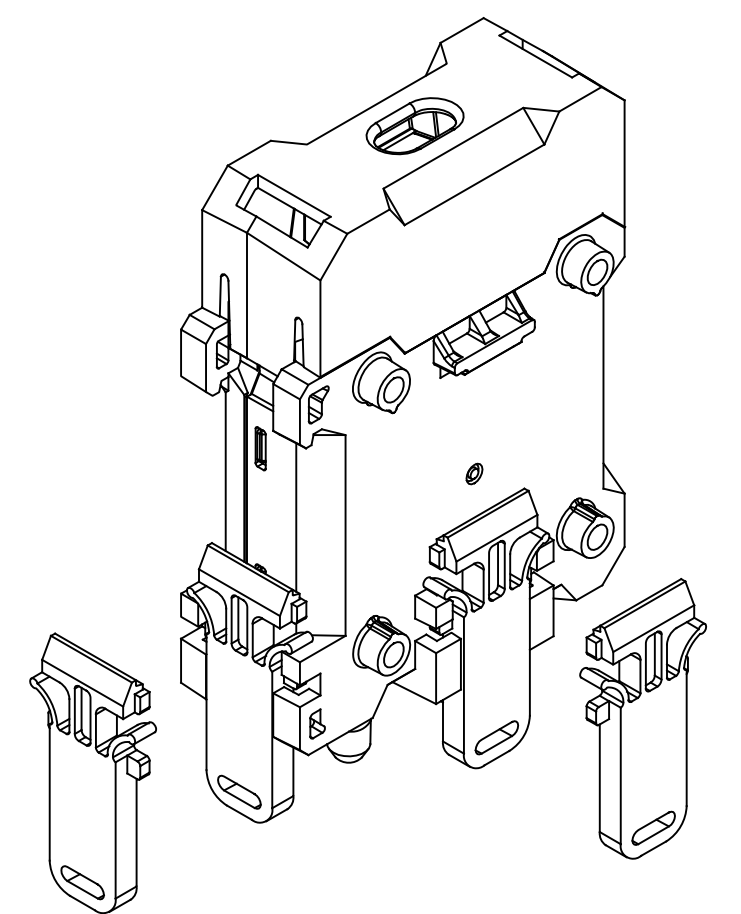
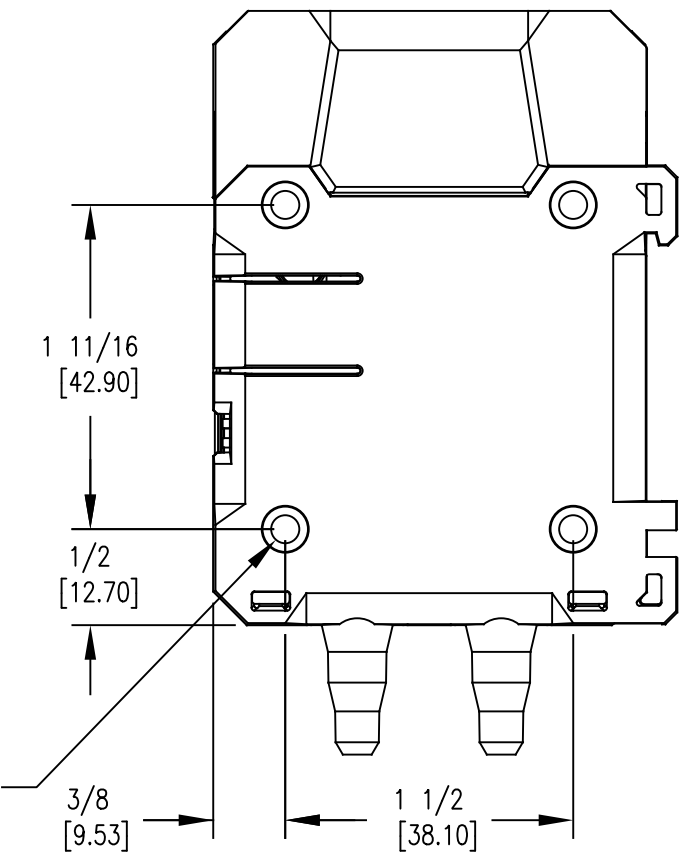
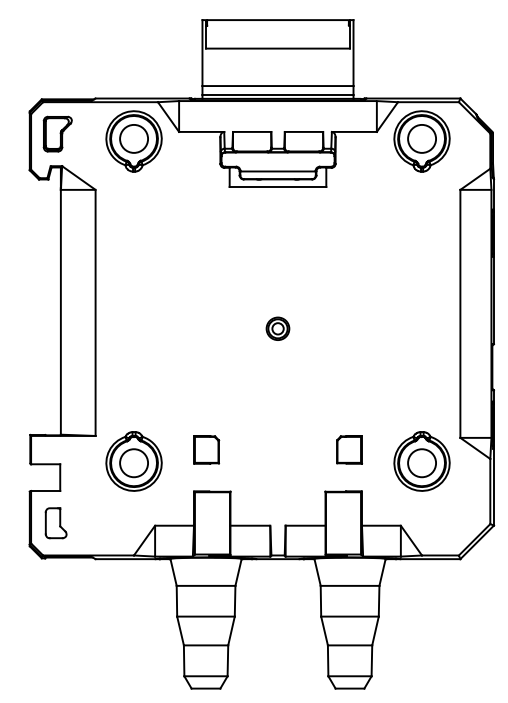
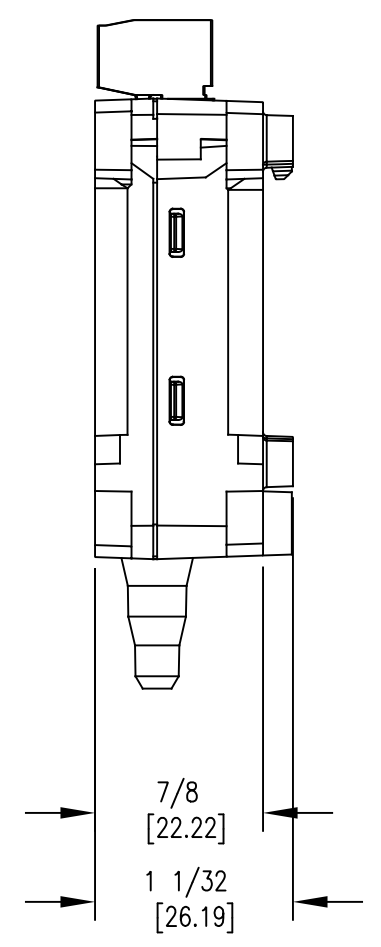
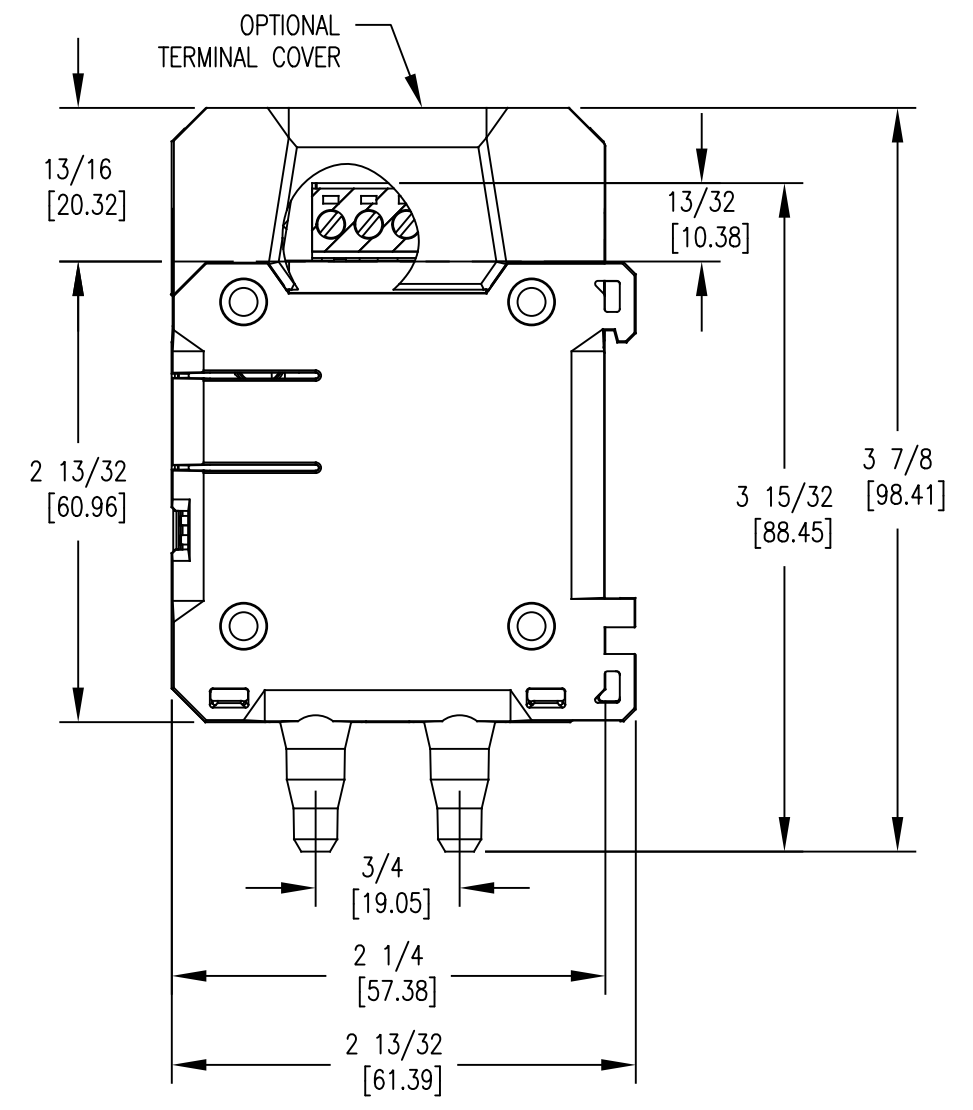


11 10 9 8 7 6 5 4 3 2 1

H G F E D C B A



DATE 1-31-25		NAME BULLETIN ARTWORK 616KX		Dwyer Dwyer INSTRUMENTS, LLC. MICHIGAN CITY, INDIANA 46360 U.S.A.	
DWN BY PFA		(FOR REFERENCE ONLY)		MATERIAL	
CHKD KAS		SCALE N/A		SHEET 1 OF 1	
APPD JM		WEIGHT/VOLUME		FINISH	
NO. CHANGES		BY/DATE		TOLERANCES DECIMAL ± ANGLE ± INCHES [mm]	
				THIRD ANGLE	
				PART NO. 701499-00	

11 10 9 8 7 6 5 4 3 2 1

A B C D E F G H