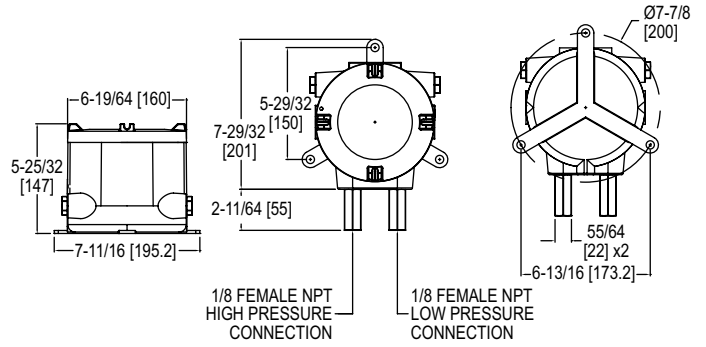


ATEX/IECEx APPROVED LOW DIFFERENTIAL PRESSURE SWITCH

The 1800 in Flameproof ATEX/IECEx Enclosure



AT-101NA-1800, shown with VS0 port/valve configuration

Essential for industrial environments, the **Series AT-1800 ATEX/IECEx Approved Low Differential Pressure Switch** combines small size with 2% repeatability. Set point adjustment inside the switch allows for set point settings across 9 ranges from the low of .07 in w.c. to a maximum 85 in w.c. differential pressure. Series AT-1800 flameproof enclosures are available in aluminum and are ideal for low pressure hazardous area applications. Various housing options such as an overpressure relief valve or external set point adjustment knob are available. External set point knob allows adjustment without opening the enclosure.

BENEFITS/FEATURES

- Compact size and repeatability provides a high-value switch for many industrial applications
- External set point knob provides easy access that simplifies making adjustments without opening enclosure
- Flameproof enclosure protects the device in hazardous areas
- Increased response time at low pressures with LD port configuration

APPLICATIONS

- Hazardous area pressure switch
- Process applications
- Mechanical equipment control

Attention: Check local safety rules and warnings on unit and manual for a correct use of the instrument in hazardous area.

PRESSURE LIMITS		
Port/Valve	One Pressure Port Connected	Both Pressure Ports Connected
VS0	10 kPa	10 kPa
VL0	10 kPa	10 kPa
VS1	20 kPa	15 kPa
VS2	40 kPa	20 kPa
VL1	20 kPa	15 kPa

MODEL CHART										
Example	AT	-101NA	-1823	-00	-B	1	VS0	12	AT-101NA-1823-00-B1VS012	
Enclosure	AT								ATEX/IECEx approved enclosure	
Housing Material		101NA							Aluminum enclosure	
Series			1823						1823 differential pressure switch	
Range				00					0.08-0.22 in w.c. (18-56 Pa) (suggested VL0 or VL1)	
				0					0.15-0.5 in w.c. (38-127 Pa) (suggested VL0 or VL1)	
				1					0.3-1.0 in w.c. (76-254 Pa) (suggested VL0 or VL1)	
				2					0.5-2.0 in w.c. (127-508 Pa) (suggested VL0 or VL1)	
				5					1.5-5.0 in w.c. (381-1270 Pa) (suggested VL0 or VL1)	
				10					2.0-10 in w.c. (0.5-2.5 kPa)	
				20					3-22 in w.c. (0.76-5.6 kPa)	
				40					5-44 in w.c. (1.27-11.17 kPa)	
				80					9-85 in w.c. (2.28-21.6 kPa)	
Cover					B				Blind	
Port/Valve Material						1			Brass	
						2			SS	
Port/Valve Configurations							VS0		STD port/no valve	
							VL0		LD port/no valve	
							VS1		STD port/STD valve	
							VS2		STD port/LD valve	
							VL1		LD port/LD valve	
Cable Entry								12	1/2" NPT ANSI/ASME B1.20.1	

SPECIFICATIONS

Service: Air and non-combustible, compatible gases.
Wetted Materials: Consult factory.
Temperature Limits: -30 to 180°F (-34 to 82.2°C); 1823-00, -20 to 180°F (-28.9 to 82.2°C) (Note: Product temperature limits differ from case).
Pressure Limits: See pressure limit chart.
Switch Type: SPDT.
Repeatability: ±2% FS.
Electrical Rating: 15 A @ 120-480 VAC, 60 Hz. Resistive 1/8 HP @ 125 VAC, 1/4 HP @ 250 VAC, 60 Hz. De-rate to 10 A for operation at high cycle rates.
Mounting Orientation: Diaphragm in vertical position.
Set Point Adjustment: Screw type inside mounting spud internal to switch. External set point adjustment knob optional.
Enclosure Rating: IP66 (IP65 for versions VS1, VS2, VL1).
Housing Material: Aluminum.
Finishing: Texture epoxy coat RAL7015.
Process Connections: 1/8" NPT female brass (SS optional).
Electrical Connections: Two 1/2" NPT female. Cable gland not included.
Weight: 10.5 lb (4.8 kg).
ATEX Certificate: INERIS 21ATEX0033X.
IECEx Certificate: IECEx INE 21.0064X.
Compliance: ATEX: 0080 Ex II 2G db IIC T5, T6 Gb -60°C ≤ Ta ≤ +50°C (T6) -60°C ≤ Ta ≤ +60°C (T5); II 2D Ex tb IIIC T75°C Db
 IECEx: Ex db IIC T5, T6 Gb -60°C ≤ Ta ≤ +50°C (T6) -60°C ≤ Ta ≤ +60°C (T5) Ex tb IIIC T75°C Db.

USA: California Proposition 65
WARNING: This product can expose you to chemicals including Lead, which is known to the State of California to cause cancer and birth defects or other reproductive harm. For more information go to www.P65Warnings.ca.gov.