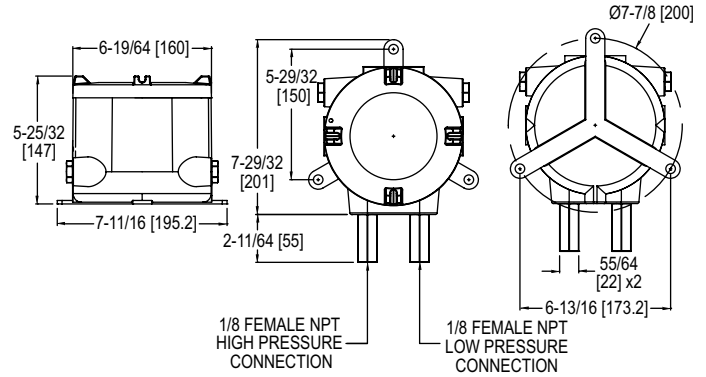
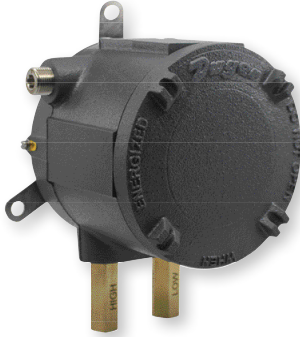


ATEX/IECEX APPROVED DIFFERENTIAL PRESSURE SWITCH

The ADPS in Flameproof ATEX/IECEX Enclosure



AT-101NA-ADPS, shown with VS0 port valve configuration

The **Series AT-ADPS ATEX/IECEX Approved Differential Pressure Switch** is designed for pressure, vacuum, and differential pressure applications in hazardous areas. The dual scaled adjustment knob in inches water column and Pascals allows changes to the switching pressure to be made without a pressure gage. The switch is available with settings from 0.08 in. w.c. (20 Pa) up to 20 in. w.c. (5000 Pa). The silicone diaphragm makes this series ideal for use with air and other noncombustible gases. Flameproof enclosures are available in aluminum and can include a glass window for viewing set point status on the adjustment knob.

BENEFITS/FEATURES

- Flameproof enclosure with optional glass window and aluminum housing protects the device in hazardous areas while giving local visibility to set point status
- Increased response time at low pressures with LD port configuration

APPLICATIONS

- Hazardous area pressure switch
- Air filter and ventilator monitoring
- Ventilation duct monitoring
- Industrial cooling circuits
- Fan heater overheating protection
- Fire-protection damper control
- Heat exchanger frost protection

PRESSURE LIMITS		
Port/Valve	One Pressure Port Connected	Both Pressure Ports Connected
VS0	10 kPa	10 kPa
VLO	10 kPa	10 kPa

SPECIFICATIONS

Service: Air and non-combustible, compatible gases.
Wetted Materials: Diaphragm material: Silicone; Housing material: Switch body: PA 6.6 and POM; Cover: Polystyrene; Brass or SS depending on pressure connections chosen.
Temperature Limits: Process and ambient temperature from -4 to 185°F (-20 to 85°C) (**Note:** Product temperature limits differ from case).
Pressure Limits: See pressure limit chart.
Switch Type: SPDT.
Electrical Rating: Standard: Max. 1.5 A @ 250 VAC, max. switching rate: 6 cycles/min.
Set Point Adjustment: Hand knob on pressure switch inside case. (De-energize before opening case).
Mounting Orientation: Vertically, with pressure connections pointing downwards.
Mechanical Working Life: Over 10⁸ switching operations.
Enclosure Rating: IP66.
Housing Material: Aluminum.
Finishing: Texture epoxy coat RAL7015.
Process Connections: 1/8" NPT female brass (SS optional).
Electrical Connections: Two 1/2" NPT female. Cable gland not included.
Weight: 10.4 lb (4.7 kg).
ATEX Certificate: INERIS 21ATEX0033X.
IECEX Certificate: IECEX INE 21.0064X.
Compliance: ATEX: 0080 II 2G Ex db IIC T5, T6 Gb -60°C≤Tas+50°C (T6) -60°C≤Tas+60°C (T5); II 2D Ex tb IIIC T75°C Db
 IECEX: Ex db IIC T5, T6 Gb -60°C≤Tas+50°C (T6) -60°C≤Tas+60°C (T5) Ex tb IIIC T75°C Db.

MODEL CHART												
Example	AT	-101NA	-ADPS	-08	-2	-N	-W	1	VS0	12	AT-101NA-ADPS-08-2-N-W1VS012	
Enclosure	AT											ATEX/IECEX approved enclosure
Housing Material		101NA										Aluminum enclosure
Series			ADPS									ADPS adjustable differential pressure switch
Range				08								.08 to 1.2 in. w.c. (20 to 300 Pa)
				04								.12 to 1.6 in. w.c. (30 to 400 Pa)
				03								.2 to 2 in. w.c. (50 to 500 Pa)
				05								.8 to 4 in. w.c. (200 to 1000 Pa)
				06								2 to 10 in. w.c. (500 to 2500 Pa)
				07								4 to 20 in. w.c. (1000 to 5000 Pa)
Connection					2							Internal cable gland
Switch						N						1.5 A @ 250 VAC
Cover							B					Blind
							W					Glass window
Port/Valve Material								1				Brass
								2				SS
Port/Valve Configurations									VS0			STD port/no valve
									VLO			LD port/no valve
Cable Entry										12		1/2" NPT ANSI/ASME B1.20.1

USA: California Proposition 65
WARNING: This product can expose you to chemicals including Lead, which is known to the State of California to cause cancer and birth defects or other reproductive harm. For more information go to www.P65Warnings.ca.gov.