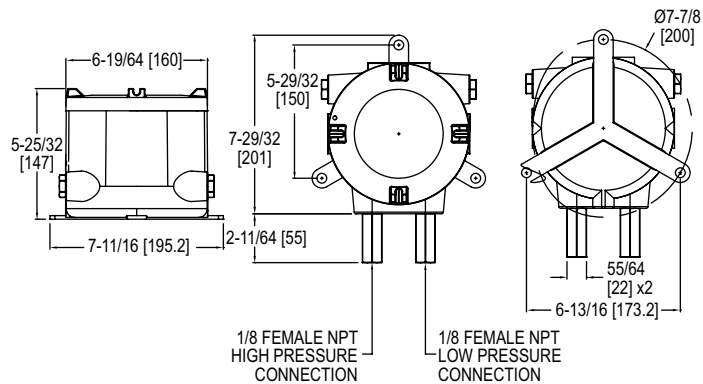


ATEX/IECEX APPROVED MAGNESENSE® DIFFERENTIAL PRESSURE TRANSMITTER

Series MS in Flameproof ATEX/IECEX Enclosure



AT-101NA-MS, shown with VS0 port/valve configuration

The **Series AT-MS ATEX/IECEX Approved Magnesense® Differential Pressure Transmitter** is an extremely versatile transmitter for monitoring pressure and air velocity in hazardous areas. This transmitter is loaded with features such as: field selectable English or metric ranges, field upgradeable LCD display, adjustable dampening of output signal and the ability to select a square root output for use with pitot tubes and other similar flow sensors. Along with these features, the magnetic sensing technology provides long-term performance and enables the Magnesense® transmitter to be the solution for a myriad of pressure and flow applications. Flameproof enclosures are available in aluminum and can include a glass window for viewing process on the LCD.

BENEFITS/FEATURES

- All the capabilities and value of the MS2 in an ATEX/IECEX approved enclosure
- Long service life and minimized downtime due to durable, rugged housing and high-quality components
- High impact strength and high temperature rated for applications where hazardous environments exist
- Increased response time at low pressures with LD port configuration

APPLICATIONS

- Monitor pressures in ducts, rooms, or total building pressures
- Filter monitoring
- Local indication of clean room pressures with process signal sent to control room
- Hazardous area pressure measurement and transmitter

PRESSURE LIMITS		
Port/Valve	One Pressure Port Connected	Both Pressure Ports Connected
VS0	10 kPa	10 kPa
VL0	10 kPa	10 kPa

SPECIFICATIONS

Service: Air and non-combustible, compatible gases.
Wetted Materials: Consult factory.
Accuracy: MS-X21: 0.5 in w.c. and 0.25 in w.c.: ±1%; 0.1 in w.c.: ±2%; 100 Pa and 50 Pa: ±1%; 25 Pa: ±2%. MS-X11: 5 in w.c. and 2 in w.c.: ±1%; 1 in w.c.: ±2%; 1250 Pa and 500 Pa: ±1%; 250 Pa: ±2% (@ standard conditions).
Stability: ±1% FS/year.
Temperature Limits: 0 to 150°F (-18 to 66°C) (Note: Product temperature limits differ from case).
Pressure Limits: 1 psi max., operation; See pressure limit chart for burst.
Power Requirements: 10-35 VDC (2-wire); 17-36 VDC or isolated 21.6-33 VAC (3-wire).
Output Signals: 4-20 mA (2-wire); 0-5 V, 0-10 V (3-wire).
Response Time: 300 ms.
Zero and Span Adjustments: Digital push-button. In safe zone only.
Loop Resistance: Current output: 0 to 1250 Ω max.; Voltage output: min. load resistance 1 kΩ.
Current Consumption: 40 mA max.
Display: 4 digit LCD.
Electrical Wiring: 4-20 mA, 2-wire: European style terminal block for 16 to 26 AWG. 0-10 V, 3-wire: European style terminal block 16 to 22 AWG.
Mounting Orientation: Diaphragm in vertical position.
Enclosure Rating: IP66.
Housing Material: Aluminum.
Finishing: Texture epoxy coat RAL7015.
Process Connections: 1/8" NPT female brass (SS optional).
Electrical Connections: Two 1/2" NPT female. Cable gland not included.
Weight: 11 lb (5 kg).
ATEX Certificate: INERIS 21ATEX0033X.
IECEX Certificate: IECEX INE 21.0064X.
Compliance: ATEX: CE 0080 Ex II 2G Ex db IIC T5, T6 Gb -60°C ≤ Ta ≤ +50°C (T6) -60°C ≤ Ta ≤ +60°C (T5); II 2D Ex tb IIIC T75°C Db
 IECEX: Ex db IIC T5, T6 Gb -60°C ≤ Ta ≤ +50°C (T6) -60°C ≤ Ta ≤ +60°C (T5) Ex tb IIIC T75°C Db.

MODEL CHART											
Example	AT	-101NA	-MS	-0	1	-LCD	-W	1	VS0	12	AT-101NA-MS-01-LCD-W1VS012
Enclosure	AT										ATEX/IECEX approved enclosure
Housing Material		101NA									Aluminum enclosure
Series			MS								Magnesense differential pressure transmitter
Output				0							Bidirectional 4-20 mA Positive range 4-20 mA
				1							Bidirectional 0-10 V
				2							Bidirectional 0-10 V
				3							Positive range 0-10 V
				6							Bidirectional 0-5 V
				7							Positive range 0-5 V
				8							Bidirectional 0-5 V output 0-12 VDC input (not all ranges)
				9							Positive range 0-5 V output 0-12 VDC input (not all ranges)
Range				1							1, 2, 5 in w.c. and 250, 500, 1250 Pa
				2							0.1, 0.25, 0.5 in w.c. and 25.50, 100 Pa
				3							10 in w.c. and 2 kPa
				4							15 in w.c. and 3 kPa
				5							25 in w.c. and 5 IPa
Options						LCD					With LCD
Cover							B				Blind
							W				Glass window
Port/Valve Material								1			Brass
								2			SS
Port/Valve Configurations									VS0		STD port/no valve
									VL0		LD port/no valve
Cable Entry										12	1/2" NPT ANSI/ASME B1.20.1

USA: California Proposition 65
WARNING: This product can expose you to chemicals including Lead, which is known to the State of California to cause cancer and birth defects or other reproductive harm. For more information go to www.P65Warnings.ca.gov.