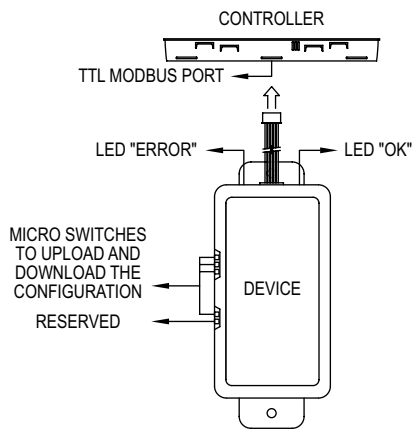
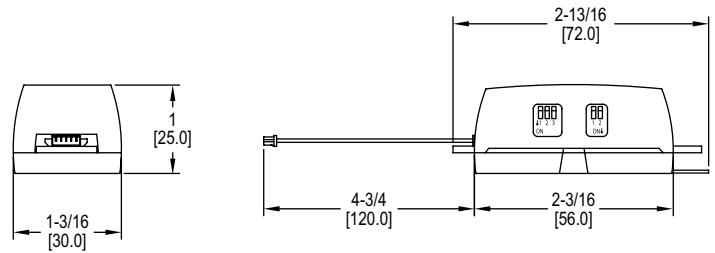


Series 40T2/40M2 Programming Key

Specifications - Installation and Operating Instructions



SPECIFICATIONS

Container: Black, self-extinguishing.
Displays: Upload/download configuration status LED.
Connection Method: Pico-Blade connector.
Power Supply: The device is powered by the TTL Modbus® port of the controller.
Category of Heat and Fire Resistance: D.
Measurements: 30 mm x 25 mm x 176 mm (1-3/16 in x 1 in x 6-15/16 in).
Degree of Covering Protection: IP00.
Operating Temperature: 0 to 55°C (32 to 131°F).
Storage Temperature: -25 to 70°C (-13 to 158°F).
Operating Humidity: Relative humidity without condensate from 5 to 95%.
Software Class and Structure: A.
Compliance: CE.

Configuration download failure:

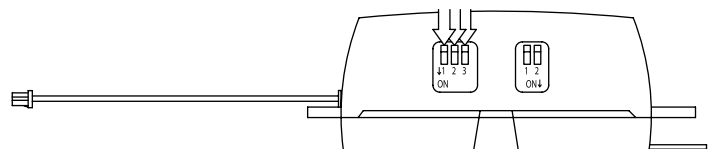
1. The configuration download is allowed on condition that the firmware of the controller of origin coincides with the firmware of the controller of destination.
2. If the configuration download fails, it could be necessary to restore the factory settings (default) of the controller.

Maintenance/Repair:

Upon final installation of the Series 40T2/40M2, no routine maintenance is required. The Series 40T2/40M2 is not field serviceable and is not possible to repair the unit. Field repair should not be attempted and may void warranty.

Warranty/Return:

Refer to "Terms and Conditions of Sale" in our catalog and on our website. Contact returns@dwyermail.com to receive a Return Material Authorization number before shipping the product back for repair. Be sure to include a brief description of the problem, PO#/Order#/or Invoice# that this unit was purchased on plus any additional application notes.



LED ERROR TROUBLESHOOTING

LED "OK"	LED "ERROR"	Definition
Blinking	Blinking	Recognizing device
ON	ON	Device recognized
ON	Blinking	Memory error - device
Blinking	Blinking	Config up/download
Blinking	ON	Saving configuration
ON	OFF	Config save complete
OF	ON	Config save failure

Configuration Upload

Controller to key:

1. Connect the device to the TTL Modbus® port of the controller as shown in the section ELECTRICAL CONNECTION.
2. Place micro-switch 1, 2 and 3 of the three-position dip switch into the OFF position.
3. Power up the controller via the method described in the controller's instruction manual. Device recognition will run.
4. Device recognition normally takes a few seconds; when it is finished, the LED "OK" and LED "ERROR" will switch on.
5. If the recognition is successful, the configuration upload will run next. This upload normally takes a few seconds. If the upload is successfully completed, the LED "OK" will switch on and the LED "ERROR" will switch off. Vice versa if the upload fails: the LED "OK" will switch off and the LED "ERROR" will switch on. In the case of upload failure, repeat the upload.

Configuration Download

Key to controller:

1. Connect the device to the TTL Modbus® port of the controller as shown in the section ELECTRICAL CONNECTION.
2. Place micro-switch 1, 2 and 3 of the three-position dip switch into the ON position.
3. Power up the controller via the method described in the controller's instruction manual. Device recognition will run.
4. Recognition normally takes a few seconds; when it is finished, the LED "OK" and the LED "ERROR" will switch on.
5. If the recognition is successfully completed, the configuration download will run. This download normally takes a few seconds. If the download is successfully completed, the LED "OK" will switch on and the LED "ERROR" will switch off. If the download fails, the LED "OK" switches off and the LED "ERROR" switches on (repeat the upload).

Modbus® is a registered trademark of Schneider Electric USA, Inc.